

Features

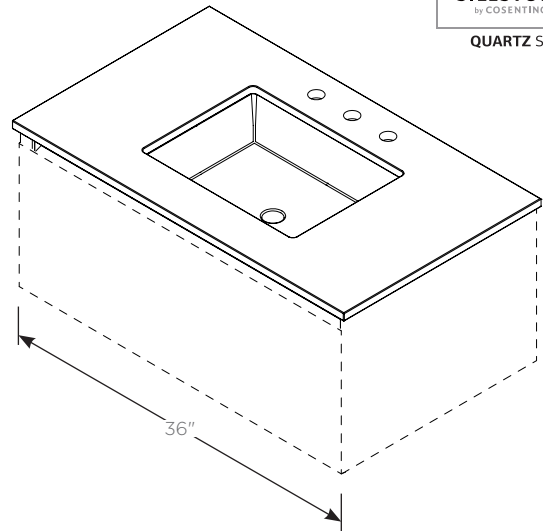
- Silestone Quartz surface
- Includes Robern ceramic lavatory and proprietary Robern mounting brackets (for use with Cartesian D21 and VF vanities).
- Includes installation hardware and silicone

Dimensions

- Width:** 37" (940 mm)
Depth: 22" (559 mm)
Thickness: 3/4" (19 mm)
Weight: 66 lbs (29.9 kg)

Options

- Stone Top Color Options:
 - Quartz White
 - White Zeus Extreme
 - Stone Gray
 - Lyra
 - Lava Black
- Faucet Hole Patterns available:
 - Single Hole
 - 8" Widespread Three Hole
- Sink Configurations:
 - Undercounter Sink (Single)



Note: Sinks must be located over H1-Tip Out or H2/V14 Plumbing drawers. See Cartesian Reference Guide for more information.

Model Number Key

T F 37 U C O 92 - 8

Category	T = Top
Depth	F = 22" (559 mm) Engineered Stone
Width	37" (940 mm)
Sink Type	U = Undercounter Sink
Sink Location	C = Center
Overflow	O = Overflow
Colors	<p>90 = Engineered Stone, Lava Black (Silestone Tebas Black)</p> <p>91 = Engineered Stone, Stone Gray (Silestone Expo Gray)</p> <p>92 = Engineered Stone, Quartz White (Silestone White Storm)</p> <p>93 = Engineered Stone, White Zeus Extreme (Silestone)</p> <p>94 = Engineered Stone, Lyra (Silestone)</p>
Faucet Hole Drilling	<p>1 = Single-Hole (Centered on Sink Location)</p> <p>8 = 3-Hole (Centered on Sink Location)</p>

Dimensions

