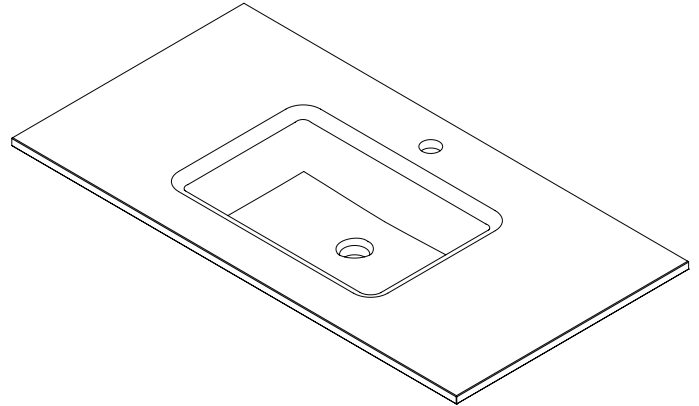


Features

- Stunning glass tops feature rectangular integrated sink, without overflow.
- Includes Drain spacer gasket kit

Dimensions

Width: 37" (940 mm)
 Depth: 19" (483 mm)
 Thickness: 19/32" (15 mm)
 Weight: 40 lbs (18.1 kg)



Options

- Faucet Hole Patterns available:
 - Single Hole
 - 8" Widespread Three Hole
- Other widths available -
 - 25" (635 mm)
 - 31" (787 mm)

Model Number Key

T C 37 U C N 21 - _

Category	T = Top							
Series	C = 19" (483 mm)							
Width	37" (940 mm)							
Sink Type	U = Undercounter Sink							
Sink Location	C = Center							
Overflow	N = No overflow							
Colors	21 = White							
Faucet Hole Drilling	1 = Single-Hole (Centered on Sink Location) 8 = 3-Hole (Centered on Sink Location)							

Dimensions

