

**Craft Series Stone Top
TB61UDO Engineered Stone Top Specification Sheet**

FEATURES

- Silestone Quartz surface
- Includes Robern ceramic lavatory
- Includes installation hardware



OPTIONS

Finish colors available:

Single Hole (centered on each sink):

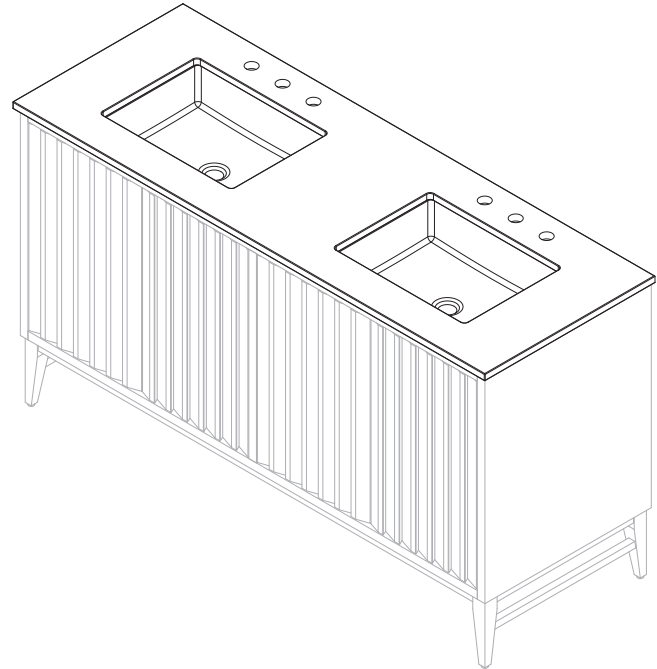
- TB61UDO90-1D2 - Lava Black
- TB61UDO91-1D2 - Stone Gray
- TB61UDO92-1D2 - Quartz White
- TB61UDO93-1D2 - White Zeus Extreme
- TB61UDO94-1D2 - Lyra

Three Hole (8" Spread, centered on each sink):

- TB61UDO90-8D2 - Lava Black
- TB61UDO91-8D2 - Stone Gray
- TB61UDO92-8D2 - Quartz White
- TB61UDO93-8D2 - White Zeus Extreme
- TB61UDO94-8D2 - Lyra

Compatible Craft Series Vanities:

- CVSN60217 - Sinca, White Oak
- CVSN60218 - Sinca, Walnut



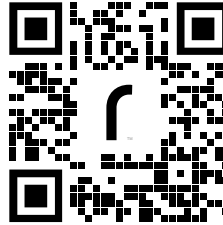
DIMENSIONS

- Width: 61" (1549 mm)
- Depth: 22" (559 mm)
- Thickness: 25/32" (20 mm)
- Weight: 111 lbs (50.3 kg)

MODEL NUMBER KEY

CATEGORY	DEPTH	WIDTH	SINK TYPE	SINK LOCATION	OVERFLOW	FINISH COLOR	FAUCET PATTERN
T = Top	B = 22" (559 mm)	61	U = Undermount	D = Double	O = Overflow	(See above)	1D2 = Single Hole 8D2 = 8" (203 mm) Three Hole Spread

MORE INFORMATION



Scan the QR code to see the details found in the Craft Top installation instructions.

Use the camera app on your mobile device to look at this QR code. This will allow you to quickly access web pages and other relevant documents.

