

Craft Series Stone Top
TB37UCO Engineered Stone Top Specification Sheet

FEATURES

- Silestone Quartz surface
- Includes Robern ceramic lavatory
- Includes installation hardware



OPTIONS

Finish colors available:

Single Hole (centered on each sink):

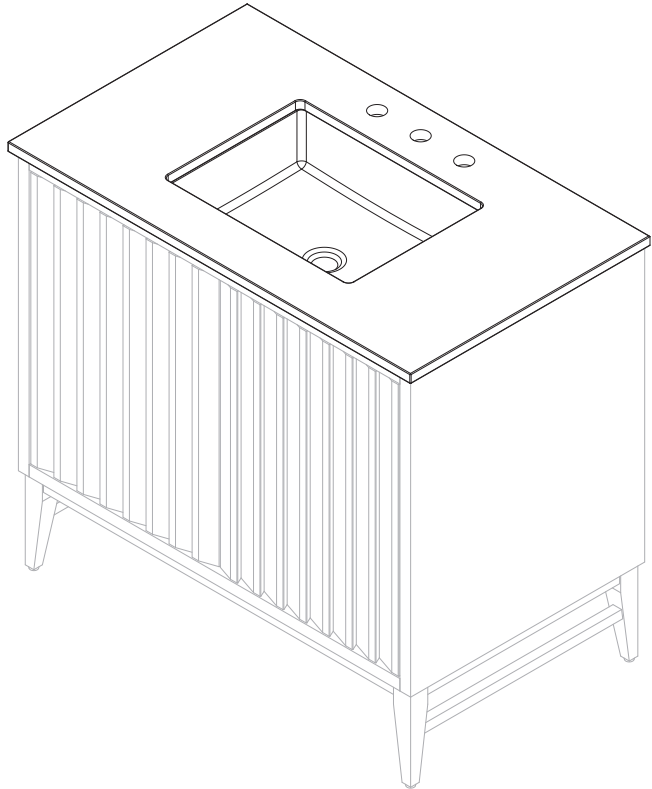
- TB37UCO90-1 - Lava Black
- TB37UCO91-1 - Stone Gray
- TB37UCO92-1 - Quartz White
- TB37UCO93-1 - White Zeus Extreme
- TB37UCO94-1 - Lyra

Three Hole (8" Spread, centered on each sink):

- TB37UCO90-8 - Lava Black
- TB37UCO91-8 - Stone Gray
- TB37UCO92-8 - Quartz White
- TB37UCO93-8 - White Zeus Extreme
- TB37UCO94-8 - Lyra

Compatible Craft Series Vanities:

- CVSM3622087 - Islamorada, Sand with Aged Brass
- CVSM3622187 - Islamorada, Nori with Aged Brass
- CVSN36217 - Sinca, White Oak
- CVSN36218 - Sinca, Walnut



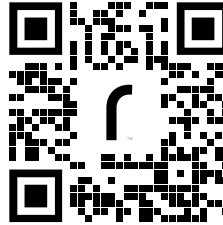
DIMENSIONS

- Width: 37" (940 mm)
- Depth: 22" (559 mm)
- Thickness: 25/32" (20 mm)
- Weight: 66 lbs (29.9 kg)

MODEL NUMBER KEY

CATEGORY	DEPTH	WIDTH	SINK TYPE	SINK LOCATION	OVERFLOW	FINISH COLOR	FAUCET PATTERN
T = Top	B = 22" (559 mm)	37	U = Undermount	C = Center	O = Overflow	(See above)	1 = Single Hole 8 = 8" (203 mm) Three Hole Spread

MORE INFORMATION



Scan the QR code to see the details found in the Craft Top installation instructions.

Use the camera app on your mobile device to look at this QR code. This will allow you to quickly access web pages and other relevant documents.

