

TENOR™ LIGHTING
JLA36FKSC3D Specification Sheet

FEATURES

- Luxury decorative light design.
- Designed for easy, modular installation to M Series, M Series Reserve™, PL Series, and PORTRAY™ cabinets.
- Warm, relaxing tones (3000K).
- Energy efficient LEDs.
- Dimmable LED using a standard residential dimmer that works with your home's existing wiring.
- Will operate in high humidity or damp spaces.
- Hinge stop required for door hinge swing greater than 110°

Color Temperature	3000K
CRI	90+
R9 Value	60+
Delivered Lumens	732
Source Lumens	1776

MATERIALS & CONSTRUCTION

- Rust-free, aluminum and glass construction.
- Chrome plated back frame.
- Quality glass diffuser for consistent light output.
- Wired internally- Front access serviceability.
- Tenor Lights available with Chrome, Polished Nickel, Matte Black, and Brass finished end caps.

CODES & STANDARDS

- ETL certified (damp locations) to:
 - UL 8750
 - CSA C22.2 No. 250.13
- TITLE 24 certified

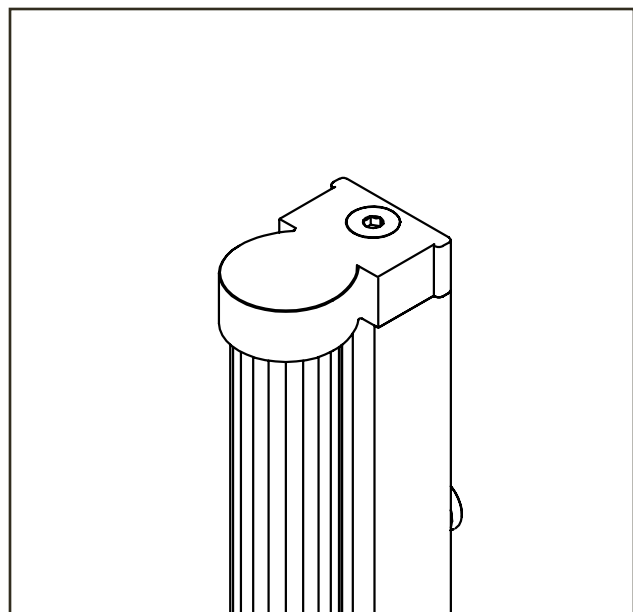
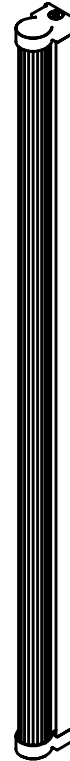
OPTIONS

Works with available cabinet mounting kits:

- Ganging kit
- Surface mount kit
- Semi-recess mount kit

DIMENSIONS

Width: 1-3/8" (35mm)
 Height: 36" (914mm)
 Recess Mounted Depth: 2.00" (51mm) when recessed
 Surface Mounted Depth: 5.75" (146mm) when surface mounted
 Net Weight: 5lbs



MODEL NUMBER KEY

Product Line	Width	Height	Body Type	Lamp Type	Qty.	Body Finish	CCT	Control Type	Endcap Finish
JL = Tenor Light	A = 1-3/8" (35mm)	36 = 36"	F = Fluted	K = T24 LED	S = Single	C = Chrome	3 = 3000K	D = Dimmable	76 = Chrome 77 = Polished Nickel 83 = Matte Black 86 = Brass

INSTALLATION

- Sold as individual unit.
- Fixture adds 1-3/8" per light (2-3/4" pair) to the overall rough-in width.
- Tenor Lighting includes hardware to mount to cabinet.
- Ganging kit is required when ganging more than one cabinet. Can be surface mounted with 4" depth (D4) and 6" depth (D6) cabinets (D4 and D6 surface mount kits required). Can be semi-recessed with 6" depth (D6) cabinets (D6 semi-recessed kit required). Can also be fully recessed with 4" depth (D4) and 6" depth (D6) cabinets.

ELECTRICAL SYSTEM

- Operates on 120VAC 102.6W 60Hz per fixture.
- Requires switch or dimmer (sold separately).
- ETL (US and Canada) listed for damp locations.
- Recommended field wire locations as shown in drawing.

MORE INFORMATION



Scan the QR code to see the rough opening and electrical details found in the Tenor Dimmable Light installation instructions.

Use the camera app on your mobile device to look at this QR code. This will allow you to quickly access web pages and other relevant documents.

