

Features

- Three-way mitered joinery on vanity frame
- Mitered thin frame drawer detail
- Top drawers are plumbing drawers
- Bottom drawers are plumbing drawers
- Open shelf storage
- Removable glass drawer dividers included

Materials & Construction

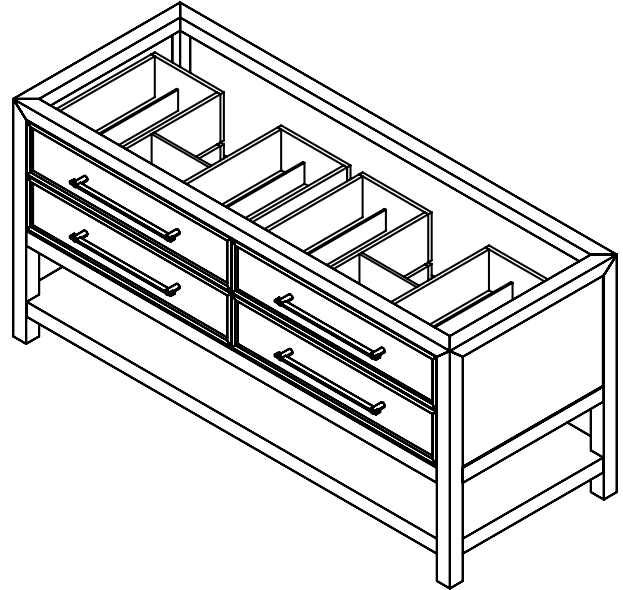
- Solid wood and veneer construction
- Full plywood back panel, no cutout
- Dovetailed drawers
- Pre-installed solid stainless steel hardware
- Blum undermount full extension slow close slides
- Durable, moisture resistant polyurethane finish
- Adjustable leveling feet

Options

- Available in:
CVSK6020469, Rustic Oak paired with Brushed Pewter
- Coordinating mineral cast sink with infinity drain, TA60MDO____-8CS9
- Coordinating mirrors available
- Coordinating linen cabinet available

Dimensions

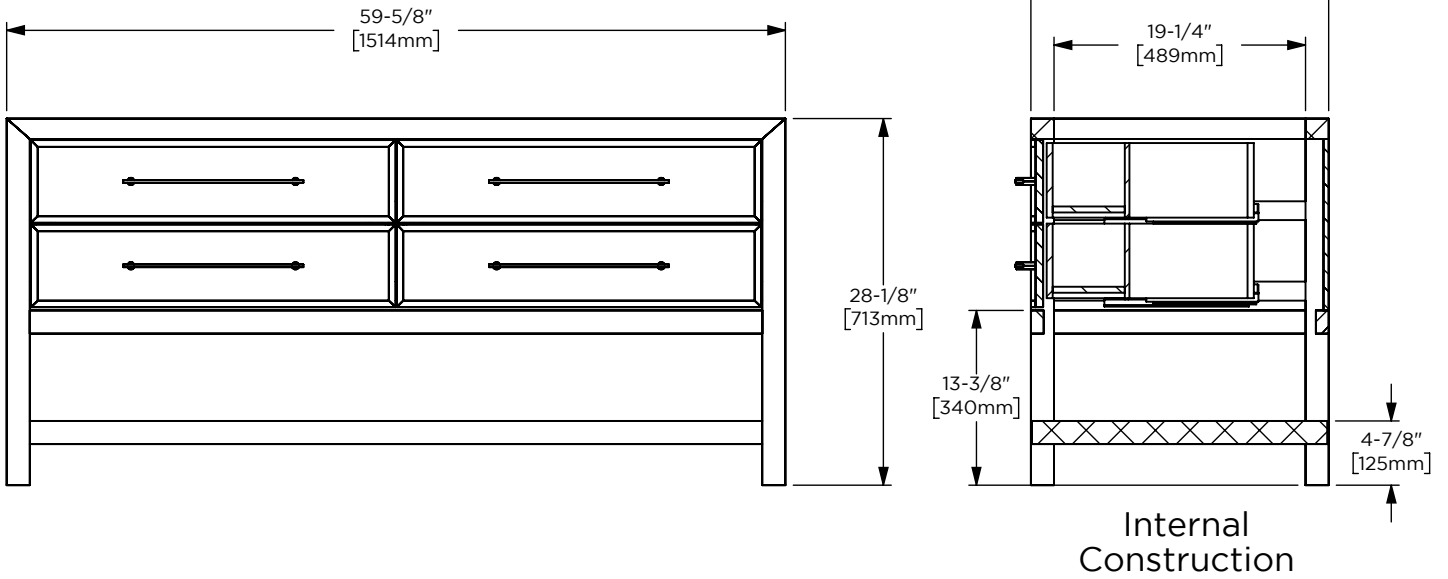
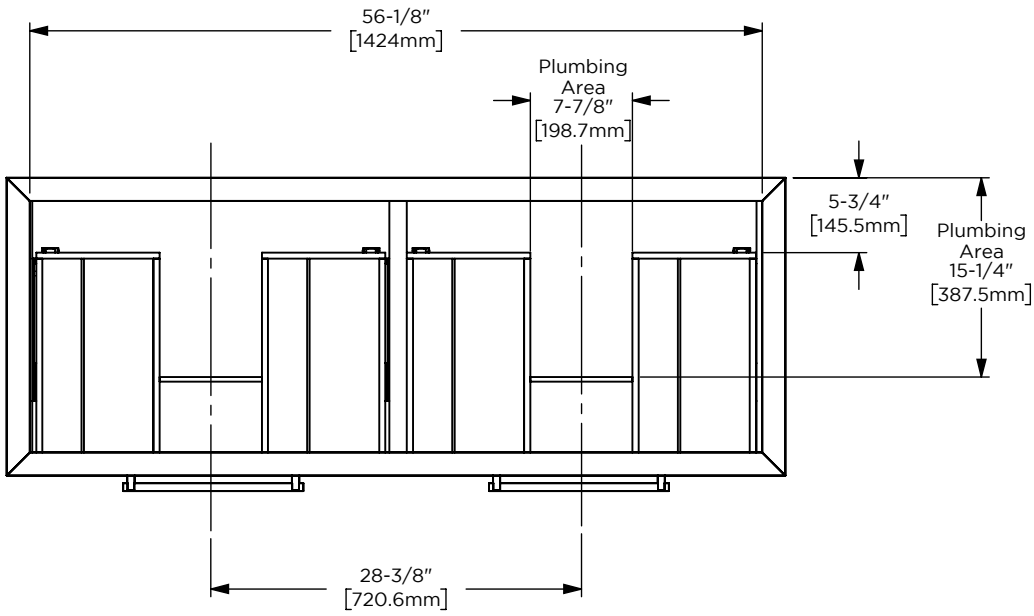
Width: 59-5/8"
Height: 28-1/8"
Depth: 22-3/4"



Model Number Key

PRODUCT LINE	CATEGORY	COLLECTION	WIDTH	FINISH OPTIONS	OPTIONS
C = Craft Series	V = Vanity	SK = Skaarsgard	60"	(See above)	(See above)

Skaarsgard 60" Vanity CVSK60



Features

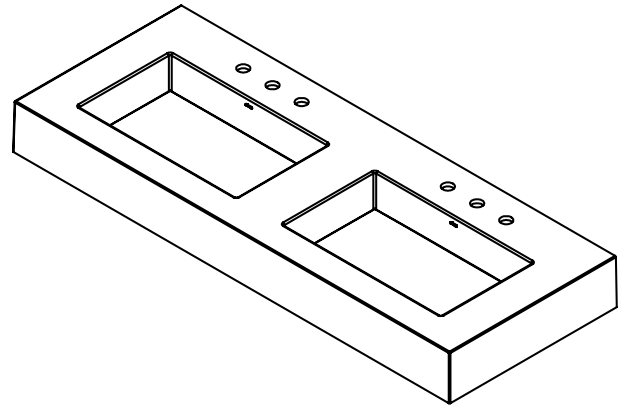
- Mineral cast integrated sink and top
- Removable infinity drain cover

Options

- Available finish:
102, Matte White
- Pairs with Craft Series Bodo & Skaarsgard 60" vanities

Dimensions

Width: 60"
 Height: 6"
 Depth: 23"



Model Number Key

CATEGORY	DEPTH	WIDTH	LAV TYPE	OVERFLOW	COLORS	DASH	FAUCET HOLES	OPTIONS
T = Top	A = 23" Depth Fabricated Top	60"	M = Machined/ Molded	D = Dual/Double Sink (60in Only)	(See above)	-	8 = 3 Holes Drilled (Centered on Lav Location)	(See above)

60" Integrated Basin TA60MDOXXX-8CS9

