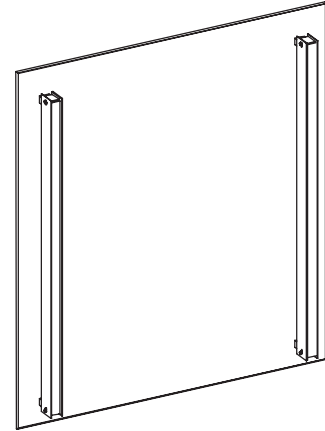


Features

- Built-in mirror defogger prevents steaming, turns on with lights
- Integrated task lighting
- Vertical T5 warm fluorescent bulbs
- Precisely spaced lights for bright task lighting and clear reflection
- 36" (91.4 cm) W x 39-3/8" (100 cm) H

MPM36FPRBN

ALSO MPM36FBRBN, MPM36FPRCR,
MPM36FBRCR



Codes/Standards Applicable

Specified model meets or exceeds the following:

- ETL listed
- Lights compliant with California Building Standards Code (Title 24)

Specified Model

Model	Description	
MPM36FPRBN	Plain edge, brushed nickel stanchion	<input type="checkbox"/>
MPM36FBRBN	Beveled edge, brushed nickel stanchion	<input type="checkbox"/>
MPM36FPRCR	Plain edge, chrome stanchion	<input type="checkbox"/>
MPM36FBRCR	Beveled edge, chrome stanchion	<input type="checkbox"/>
Optional Accessories		
RMFKIT3640	Finishing kit (to complete a seamless transition from mirror to cabinet)	<input type="checkbox"/>

REFLEXION™ FULL FUNCTION MIRROR

Technical Information

Cutout for ballast	4" (10.2 cm) width x 14" (35.6 cm) height x 1/2" (1.3 cm) depth
--------------------	---

Installation Notes

Install this product according to the installation guide.

Extend field wiring 24" (61 cm) from wall.

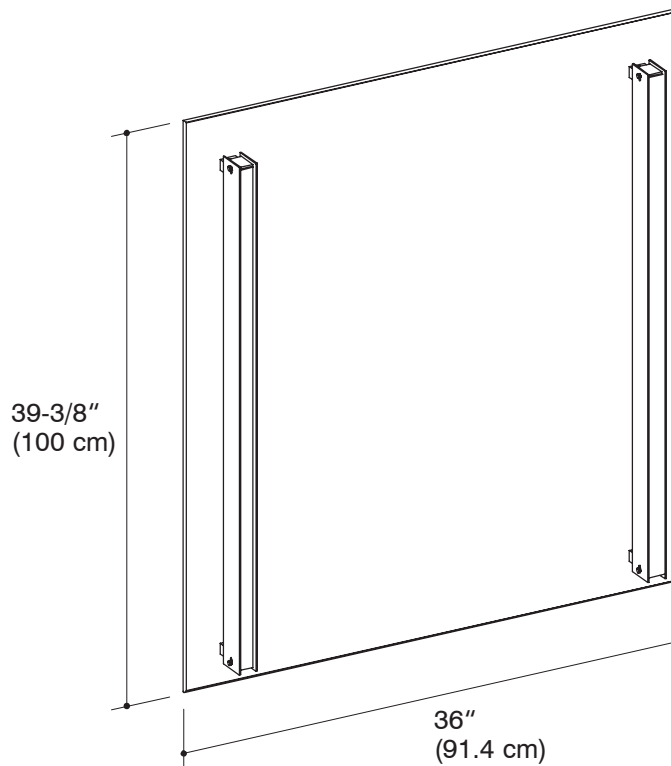
120 volts, 2 amp.

Must be connected to a wall switch.

Some assembly required.

Two people are required for installation.

Cutout for ballast does not require the removal of studs.



Product Diagram