

### Features

- Built-in mirror defogger prevents steaming, turns on with lights
- Integrated task lighting
- Vertical T5 warm fluorescent bulbs
- Precisely spaced lights for bright task lighting and clear reflection
- 36" (91.4 cm) W x 30" (76.2 cm) H

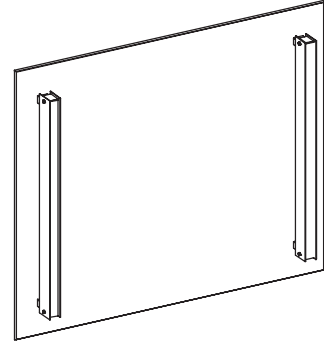
### Codes/Standards Applicable

Specified model meets or exceeds the following:

- ETL listed
- Lights compliant with California Building Standards Code (Title 24)

## MTM36FPRBN

ALSO MTM36FBRBN, MTM36FPRCR,  
MTM36FBRCR



### Specified Model

Model	Description	
MTM36FPRBN	Plain edge, brushed nickel stanchion	<input type="checkbox"/>
MTM36FBRBN	Beveled edge, brushed nickel stanchion	<input type="checkbox"/>
MTM36FPRCR	Plain edge, chrome stanchion	<input type="checkbox"/>
MTM36FBRCR	Beveled edge, chrome stanchion	<input type="checkbox"/>
<b>Optional Accessories</b>		
RMFKIT3630	Finishing kit (to complete a seamless transition from mirror to cabinet)	<input type="checkbox"/>

# REFLEXION™ FULL FUNCTION MIRROR

## Technical Information

Cutout for ballast	4" (10.2 cm) width x 14" (35.6 cm) height x 1/2" (1.3 cm) depth
--------------------	---

## Installation Notes

Install this product according to the installation guide.

Extend field wiring 24" (61 cm) from wall.

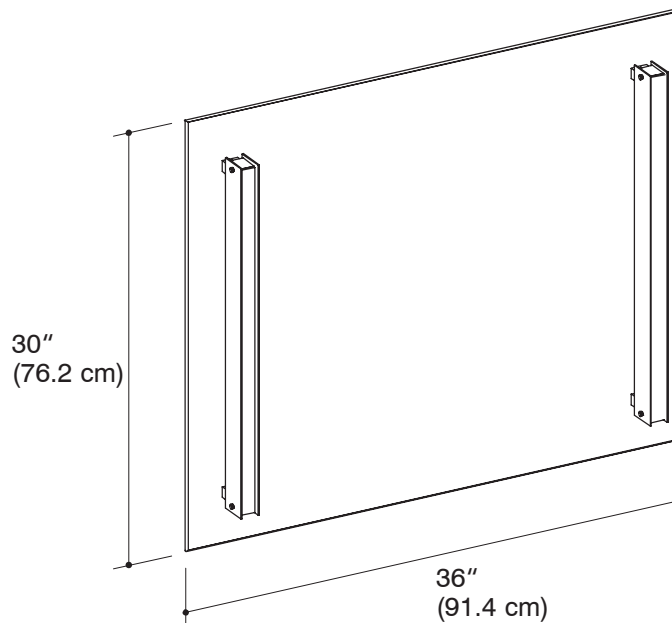
120 volts, 2 amp.

Must be connected to a wall switch.

Some assembly required.

Two people are required for installation.

Cutout for ballast does not require the removal of studs.



**Product Diagram**