

**Features**

- The PMGKIT is used only when you wish to gang a Profiles Mirror between cabinets and/or lights, creating the proper spacing and depth for the mirror.
- Can be used in recessed or surface mounted installations
- Includes installation hardware

**Construction**

- Galvanized steel
- Safeseal® Gasket
- Aluminum mounting blocks

**Dimensions**

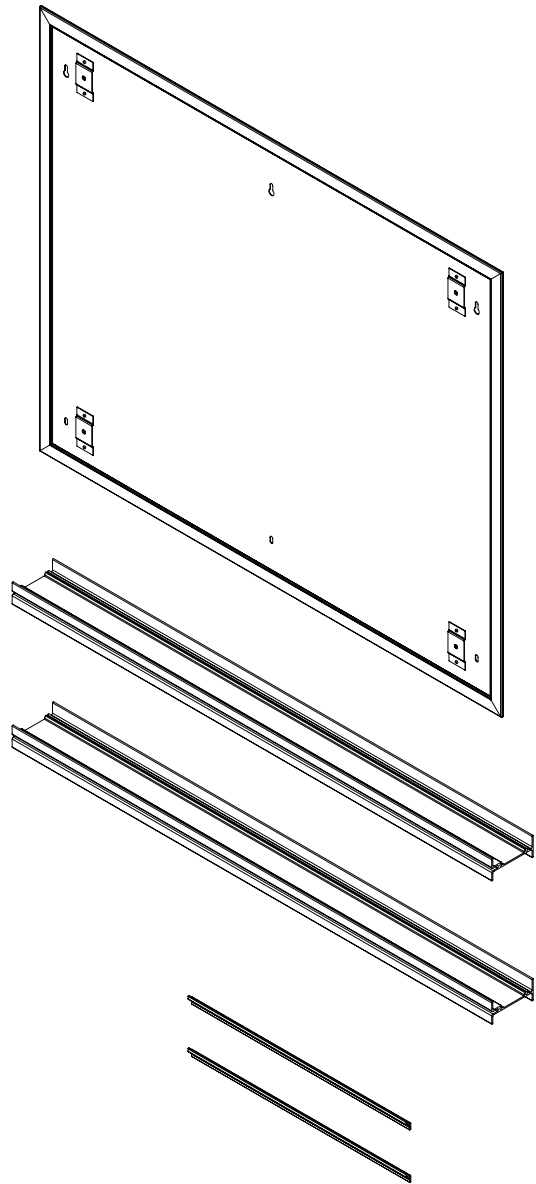
Height: 30" (762 mm)  
 Width: 36" (914 mm)  
 Depth: 4-11/16" (119 mm) When surface mounted  
 15/16" (24 mm) When recessed

**Options**

- Other widths / heights

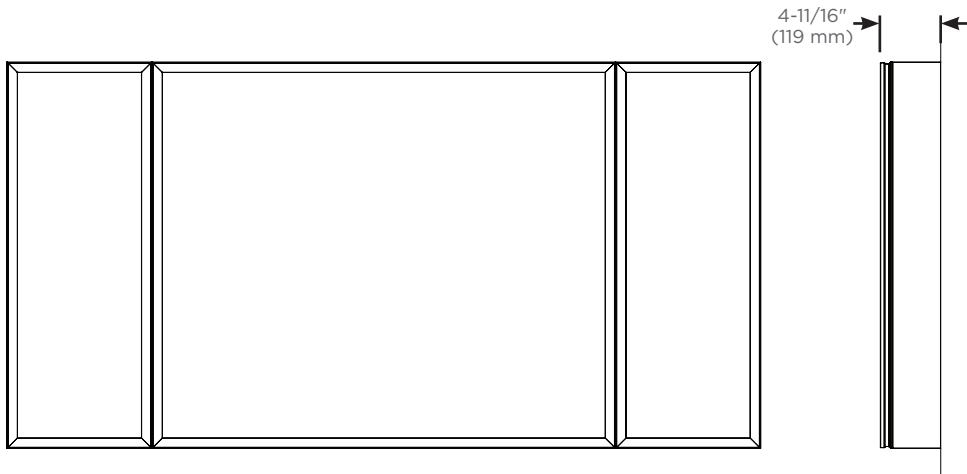
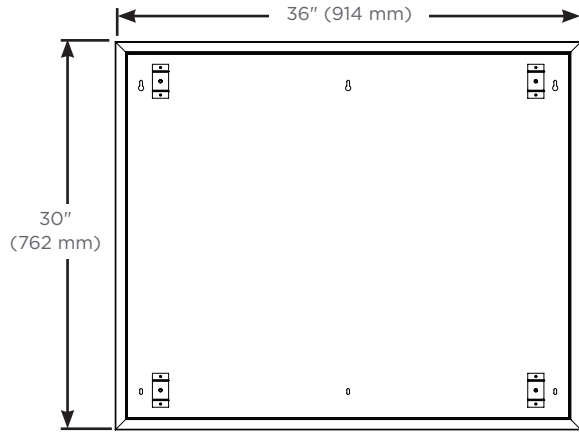
**Installation Options**

- Gang to Profiles Mirror** - Reference Profiles Mirror when ordering - PM3630T
- Surface Mount: Mirror to Cabinets (Instruction 209-1301)
  - Surface Mount: Mirror to Lights (Instruction 209-1300)
  - Recessed Cabinets and/or Lights (Instruction 209-1290)



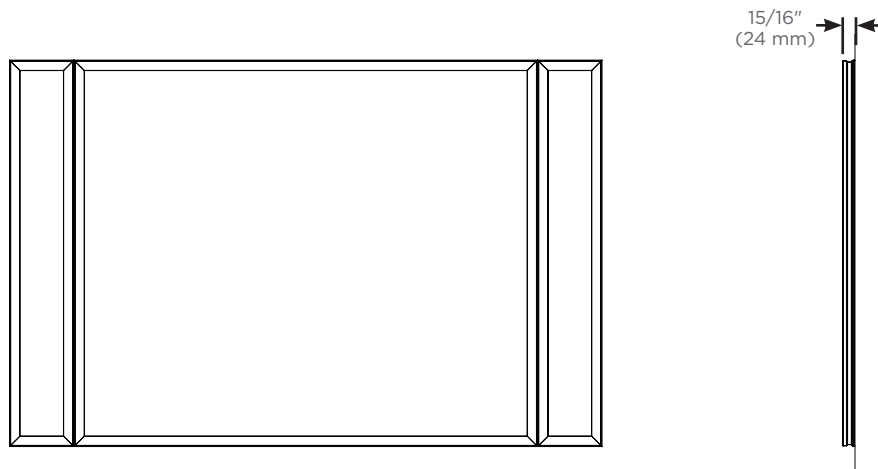
**Model Number Key**

Profiles	Mirror	Ganging Kit	Width	Height
P	M	GKIT	36	30



Example: Cabinet-Mirror-Cabinet Arrangement

**Surface Mount**



Example: Lights-Mirror-Lights Arrangement

**Recessed Mount**