

Features

- The PMGKIT is used only when you wish to gang a Profiles Mirror between cabinets and/or lights, creating the proper spacing and depth for the mirror.
- Can be used in recessed or surface mounted installations
- Includes installation hardware

Construction

- Galvanized steel
- Safeseal® Gasket
- Aluminum mounting blocks

Dimensions

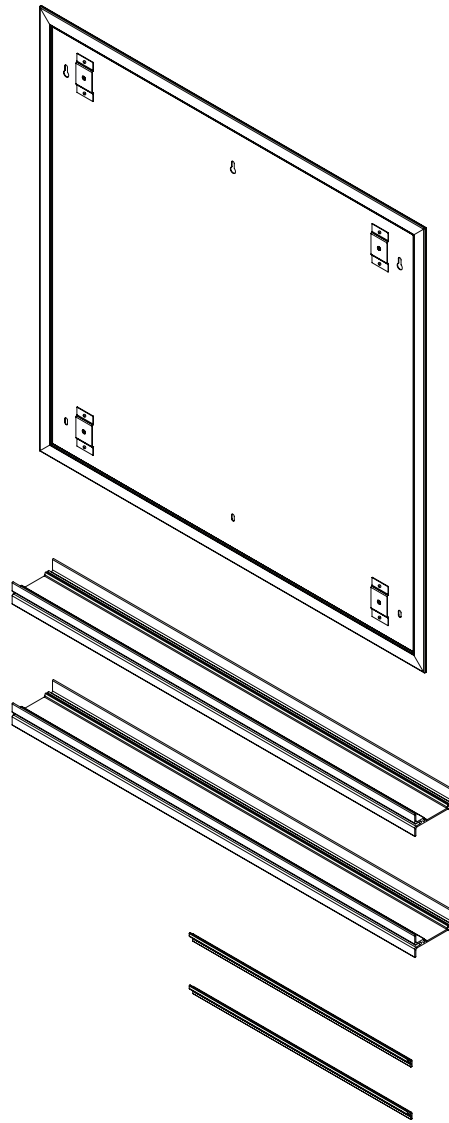
Height: 30" (762 mm)
 Width: 30" (762 mm)
 Depth: 4-11/16" (119 mm) When surface mounted
 15/16" (24 mm) When recessed

Options

- Other widths / heights

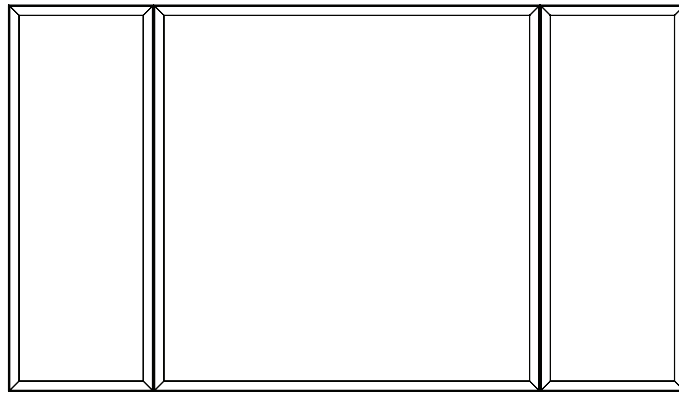
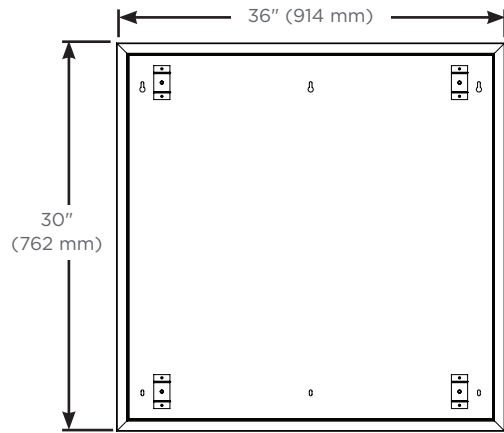
Installation Options

- Gangs to Profiles Mirror** - Reference Profiles Mirror when ordering - PM3030T
- Surface Mount: Mirror to Cabinets (Instruction 209-1301)
 - Surface Mount: Mirror to Lights (Instruction 209-1300)
 - Recessed Cabinets and/or Lights (Instruction 209-1290)

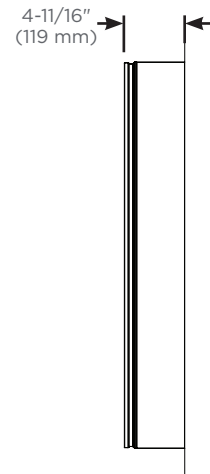


Model Number Key

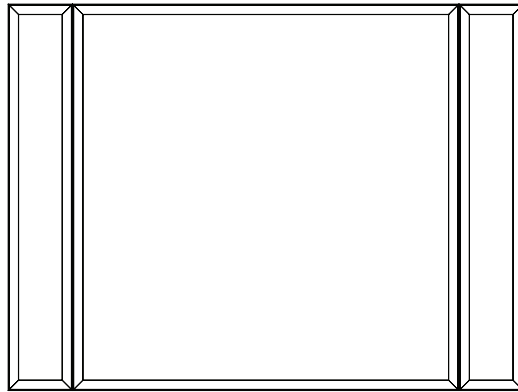
Profiles	Mirror	Ganging Kit	Width	Height
P	M	GKIT	30	30



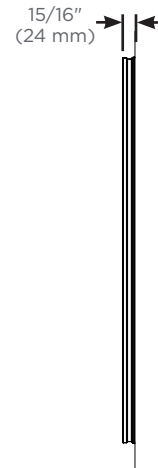
Example: Cabinet-Mirror-Cabinet Arrangement



Surface Mount



Example: Lights-Mirror-Lights Arrangement



Recessed Mount