

**Features**

- Handleless ergonomic continuous drawers
- Quality handcrafted patterns are unique and unrepeatable which means no two pieces are alike
- Matches fixtures in your styling space with Matte Gold and Matte Black metal frame finishes
- Pairs with Profiles™ Medicine Cabinets, Profiles™ Lighting and Profiles™ Mirrors
- Upper drawer features Tip-out front storage and lower H2 drawer has slow-close plumbing drawer features
- Integrated LED night light - Light bar built into top of each drawer provides drawer illumination in selectable 2700K or 4000K
- Includes 2 fully adjustable glass drawer dividers for bottom drawer
- Includes 1 glass bin
- Includes Antique Mirror Sidekits

**Dimensions**

**Width:** 30-1/8" (764 mm)  
**Depth:** 21-7/8" (555 mm)  
**Height:** 22-1/2" (572 mm)

**Construction**

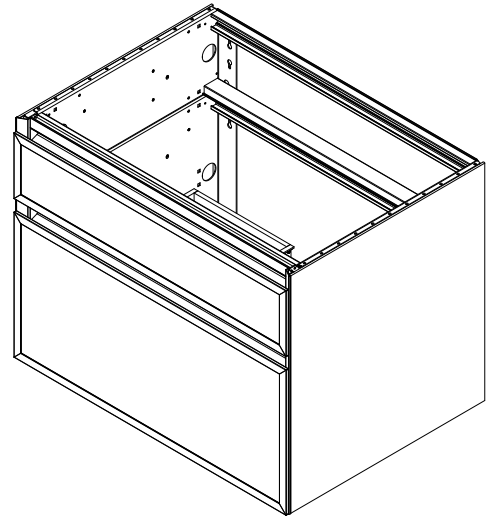
- All aluminum and glass construction - aluminum structural frame and drawer sides, glass drawer fronts, and safety backed glass drawer bottom
- Heavy duty, full extension, soft close drawers slides
- Glass fronts and side kits are replaceable
- Industrial grade installation hardware

**Codes/Standards Applicable**

- Night Light is ETL certified to:
  - UL 2108
  - CSA Standard C22.2 No. 250
- Optional Electric outlet accessory is ETL certified to:
  - UL 1363
  - CSA Standard C22.2 No. 21

**Options**

- Other widths available - 60-1/4" (1530 mm)
- In drawer electrical outlets



**Model Number Key**

30 XXXX 00 S A 0004

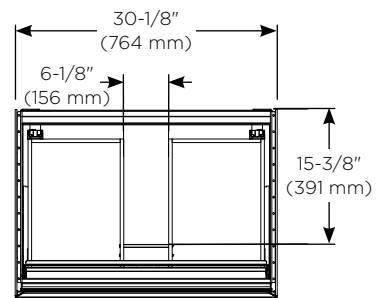
<b>Width</b>	30 = 30-1/8" (764 mm) vanity
<b>Glass and Frame Color</b>	5882 = Acrobaleno glass with Matte Gold frame 5983 = Luna glass with Matte Black frame
<b>Night light</b>	S = Selectable Night Light (2700/4000 Kelvin)
<b>Includes</b>	A = Vanity and Side Kits Only
<b>Configuration</b>	00004 = Powder Bathroom (H1 Tip Out, H2 Plumbing Drawer, H3 Side Kit Pair)

## Electrical System

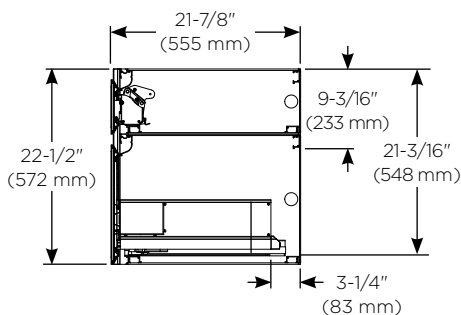
- Night light - 12VDC plug-in transformer  
Locate wall outlet as per installation instructions
- Optional In-drawer 3 outlet and switch box accessory - plug-in cord 120VAC 20A outlet

## Optional Accessories

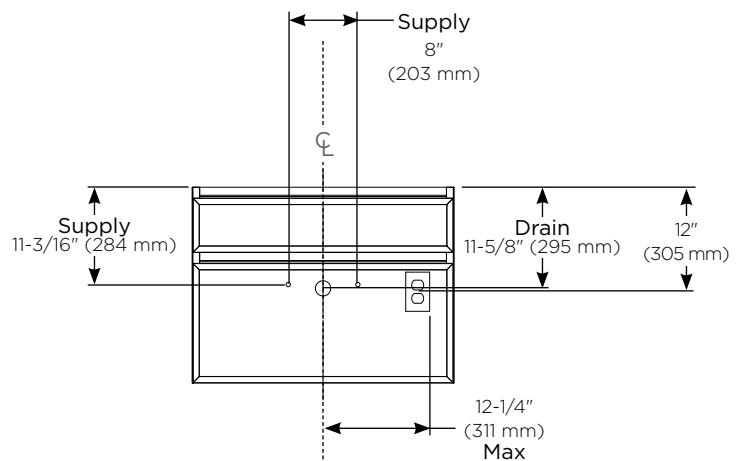
- Insert Plumbing Drawer (VADRAWER30P)
- In drawer electrical outlets (VAELECTRIC21)
- Assorted glass bins:
  - Divided storage (GLASSBIN6.38)
  - Small (GLASSBIN3.25)
  - Medium (GLASSBIN5.25)
  - Large (GLASSBIN8.5)
- Hair Styling Organizer (VAHAIRORG)



Top view for plumbing



Side view for plumbing



Front view

## Installation Notes

### Install this product according to the installation guide.

- Special site preparation is required. Wall bracing and Robern supplied hardware are recommended.
- The plumbing must be roughed into the plumbing cutout area of the vanity. Refer to the sink rough-in and the vanity rough-in for proper placement. The water supply and drain lines must be installed before installing the vanity.