

## VALEG36H3D21T Vanity Leg - Specification Sheet

### Features

- Hand welded and polished tapered legs with a minimalist design
- Constructed of high grade stainless steel - SS304 - for corrosion resistance with a high polished mirror finish
- Legs were designed to accommodate baseboard molding up to 3/4" thick
- The raised legs allow for ease of cleaning under the vanity

### Construction

- Although supported by the legs that rest on the floor, the vanity will also need to be properly secured to the wall
- Industrial grade installation hardware included

### Dimensions

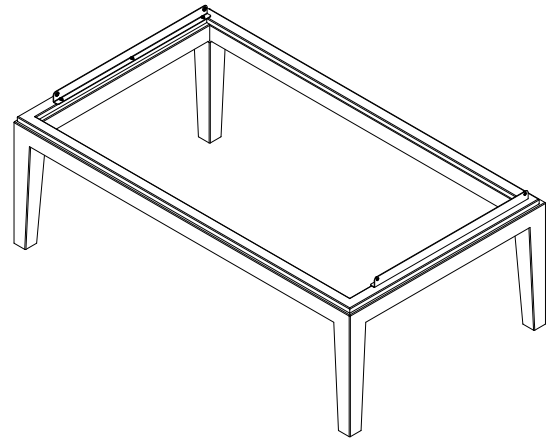
Height: 12" (305 mm)  
 Width: 36" (914 mm)  
 Depth: 21" (533 mm)

### Options

- Other widths available - 24" (610 mm) / 30" (762 mm)

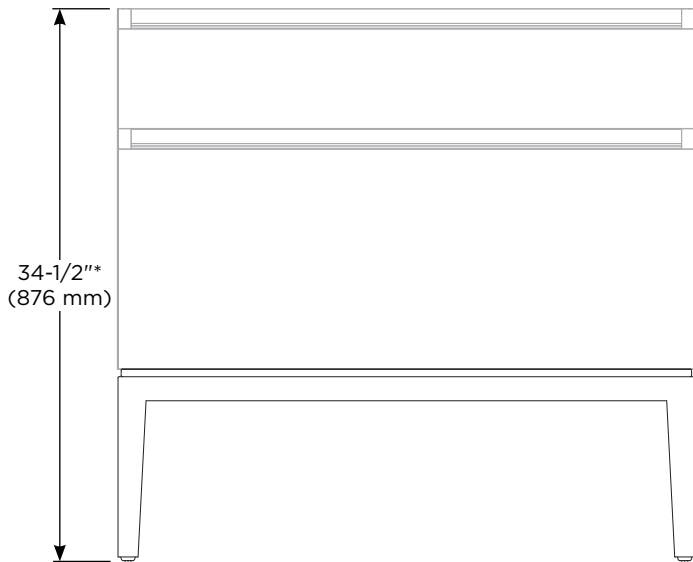
### Compatible Products

- Profiles™ Vanity VP36D21
- Cartesian® Vanity VM36D21

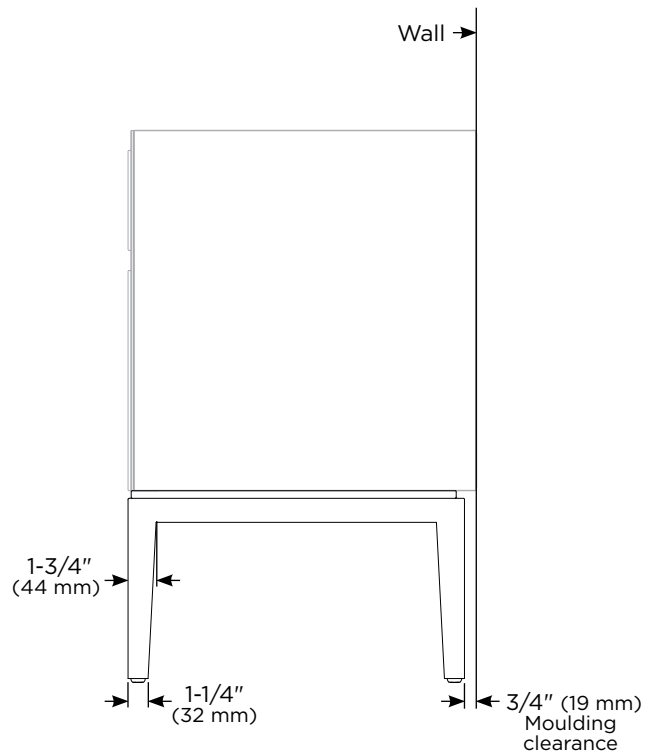


### Model Number Key

Vanity	Accessory	Feature/Function	Width	Height	Depth	Style	Finish Color
V	A	LEG	36 = 36"	H3 = Compatible with H3 height vanity	D21 = 21"	T = Taper	84 = Polished Stainless Steel



Front view



Side view

\*When combined with Cartesian® or Profiles™ H3 height vanity

### Installation Notes

Install this product according to the installation guide 209-1336.