

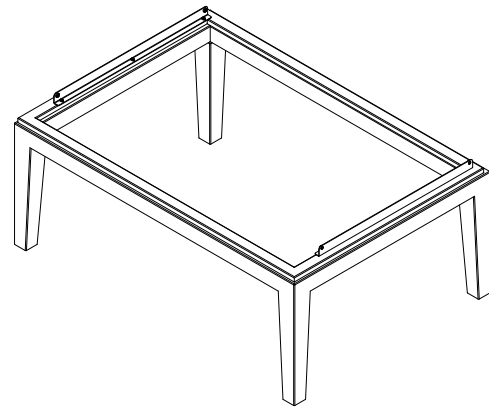
## VALEG30H3D21T Vanity Leg - Specification Sheet

### Features

- Hand welded and polished tapered legs with a minimalist design
- Constructed of high grade stainless steel - SS304 - for corrosion resistance with a high polished mirror finish
- Legs were designed to accommodate baseboard molding up to 3/4" thick
- The raised legs allow for ease of cleaning under the vanity

### Construction

- Although supported by the legs that rest on the floor, the vanity will also need to be properly secured to the wall
- Industrial grade installation hardware included



### Dimensions

Height: 12" (305 mm)  
 Width: 30" (762 mm)  
 Depth: 21" (533 mm)

### Options

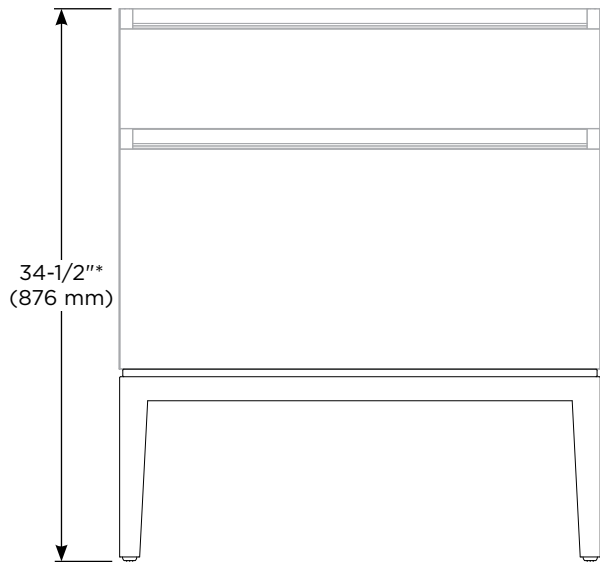
- Other widths available - 24" (610 mm) / 36" (914 mm)

### Compatible Products

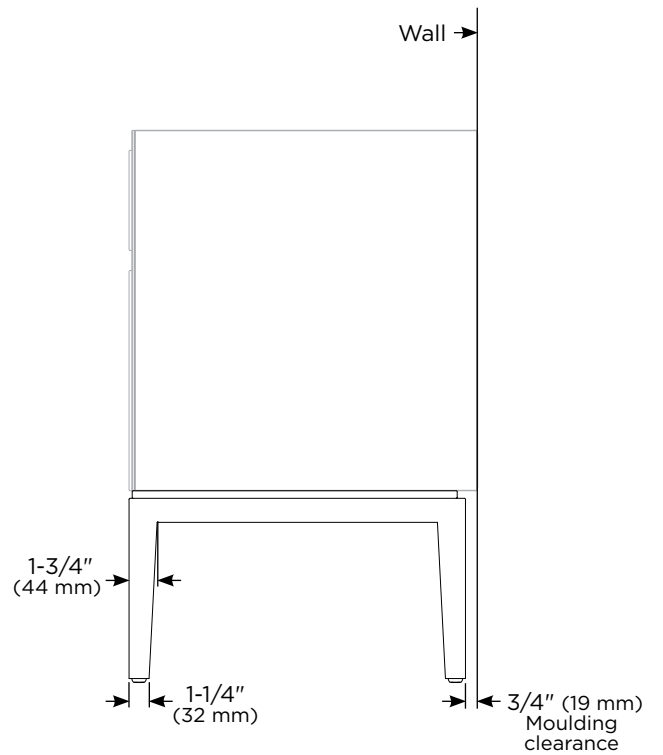
- Profiles™ Vanity VP30D21
- Cartesian® Vanity VM30D21

### Model Number Key

| Vanity | Accessory | Feature/Function | Width    | Height                                | Depth     | Style     | Finish Color                  |
|--------|-----------|------------------|----------|---------------------------------------|-----------|-----------|-------------------------------|
| V      | A         | LEG              | 30 = 30" | H3 = Compatible with H3 height vanity | D21 = 21" | T = Taper | 84 = Polished Stainless Steel |



Front view



Side view

\*When combined with Cartesian® or Profiles™ H3 height vanity

### Installation Notes

Install this product according to the installation guide 209-1336.