

**Craft Series Vanity**  
**CVHE60 Helden Vanity Specification Sheet**

**FEATURES**

- Rounded vanity frame with decorative parting line details
- Carved, integrated drawer pulls
- Top drawer is a plumbing drawer
- Bottom drawer is a plumbing drawer
- Minimalist floating installation
- Removable glass drawer dividers included

**MATERIALS & CONSTRUCTION**

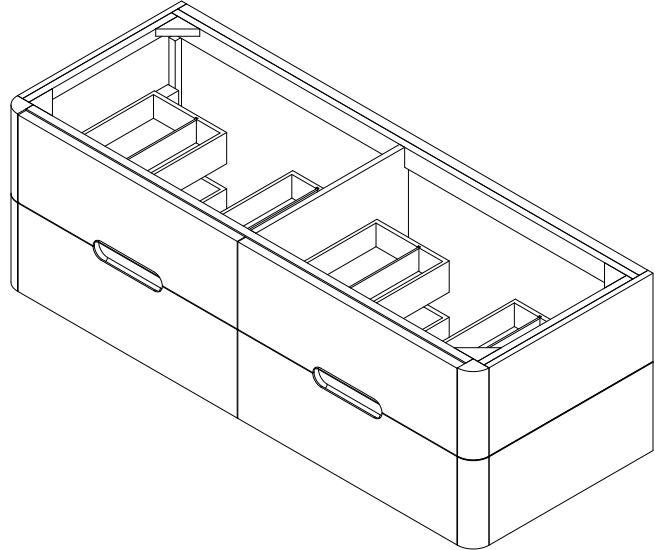
- Solid wood and veneer construction
- Full plywood back panel, no cutout
- Dovetailed drawers
- Blum full extension slow close drawer slides
- Durable, moisture resistant polyurethane finish
- Solid steel mounting brackets

**OPTIONS**

- Available in:
  - CVHE60204D - Rustic Oak
- Engineered stone tops available:
  - TA60UDO93-8CS7, White Zeus Extreme
  - TA60UDO95-8CS7, Eternal Marquina
  - TA60UDO96-8CS7, Pietra
  - TA60UDO97-8CS7, Calypso
  - TA60UDO98-8CS7, Eternal Serena
  - TA60UDO100-8CS7, Eternal Calacatta Gold
- Coordinating mirrors available
- Coordinating linen cabinet available

**DIMENSIONS**

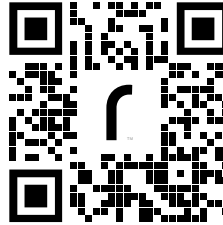
- Width: 59" (1498 mm)
- Height: 19-1/4" (488 mm)
- Depth: 22-1/2" (571 mm)



**MODEL NUMBER KEY**

PRODUCT LINE	CATEGORY	COLLECTION	WIDTH	FINISH OPTIONS
C = Craft Series	V = Vanity	HE = Helden	60	(See above)

MORE INFORMATION



Scan the QR code to see the details found in the Craft Vanity installation instructions.

Use the camera app on your mobile device to look at this QR code. This will allow you to quickly access web pages and other relevant documents.

