

**Craft Series Stone Top
TA48UCOXXX-8CS2 Engineered Stone Top Specification Sheet**

FEATURES

- Silestone Quartz surface
- Includes Robern ceramic lavatory
- Includes installation hardware

CODES & STANDARDS

- IAPMO Certified
- ASME A112.19.2/CSA B45.1

OPTIONS

Finish colors available:

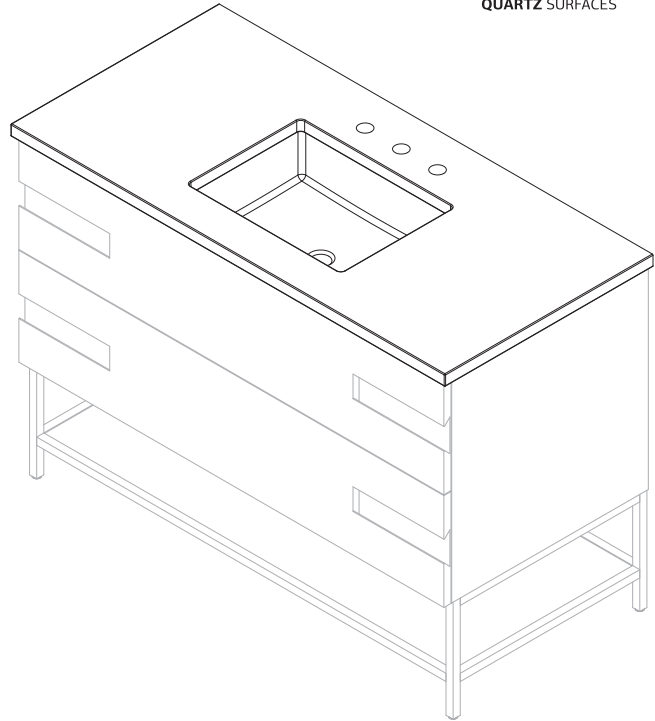
- TA48UCO93-8CS2 - White Zeus Extreme
- TA48UCO95-8CS2 - Eternal Marquina
- TA48UCO96-8CS2 - Pietra
- TA48UCO97-8CS2 - Calypso
- TA48UCO98-8CS2 - Eternal Serena
- TA48UCO100-8CS2 - Eternal Calacatta Gold

Compatible Craft Series Vanities:

- CVSE4821587D - Sendai, Matte Black Oak with Aged Brass

DIMENSIONS

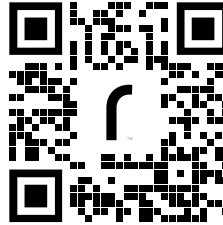
- Width: 48" (1219 mm)
- Depth: 23" (584 mm)
- Thickness: 1-3/16" (30 mm)
- Weight: 112 lbs (51 kg)



MODEL NUMBER KEY

| CATEGORY | DEPTH | WIDTH | SINK TYPE | SINK LOCATION | OVERFLOW | FINISH COLOR | FAUCET PATTERN |
|----------|---------------------|-------|----------------|---------------|--------------|--------------|---|
| T = Top | A = 23" (559 mm) | 48 | U = Undermount | C = Center | O = Overflow | (See above) | 8CS2 = 8" (203 mm) Three Hole Spread |

MORE INFORMATION



Scan the QR code to see the details found in the Craft Top installation instructions.

Use the camera app on your mobile device to look at this QR code. This will allow you to quickly access web pages and other relevant documents.

