

Features

- Carved beveled drawer detail
- Tapered leg design
- Top drawers are false front
- Middle drawers are plumbing drawers
- Bottom drawers are full drawers
- Removable glass drawer dividers included

Materials & Construction

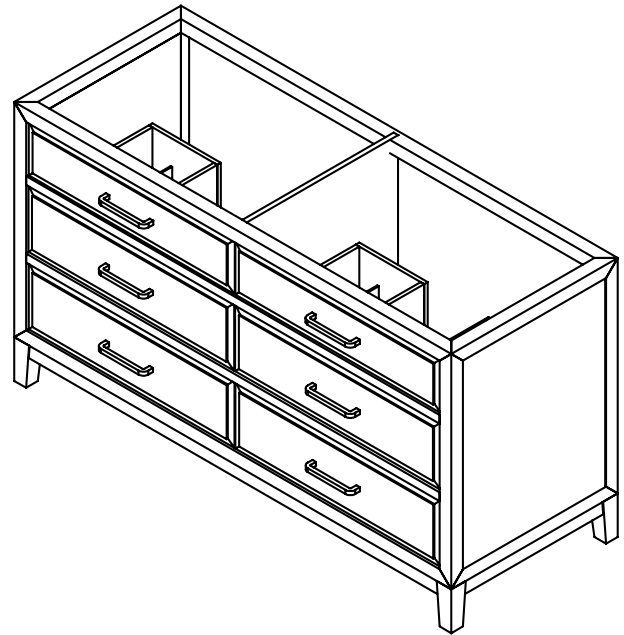
- Solid wood and veneer construction
- Full plywood back panel, no cutout
- Dovetailed drawers
- Pre-installed solid stainless steel hardware
- Blum undermount full extension slow close slides
- Durable, moisture resistant polyurethane finish
- Adjustable leveling feet

Options

- Available in:
 CVCH6020369, Light Gray Oak paired with Brushed Pewter
 CVCH6021068, Weather Oak Drift paired with Iron Black
- Coordinating engineered stone tops:
 TA60UCO93-8CS5
 TA60UCO95-8CS5
 TA60UCO96-8CS5
 TA60UCO97-8CS5
 TA60UCO98-8CS5
 TA60UCO99-8CS5
 TA60UCO100-8CS5
 TA60UCO101-8CS5
- Coordinating mirrors available

Dimensions

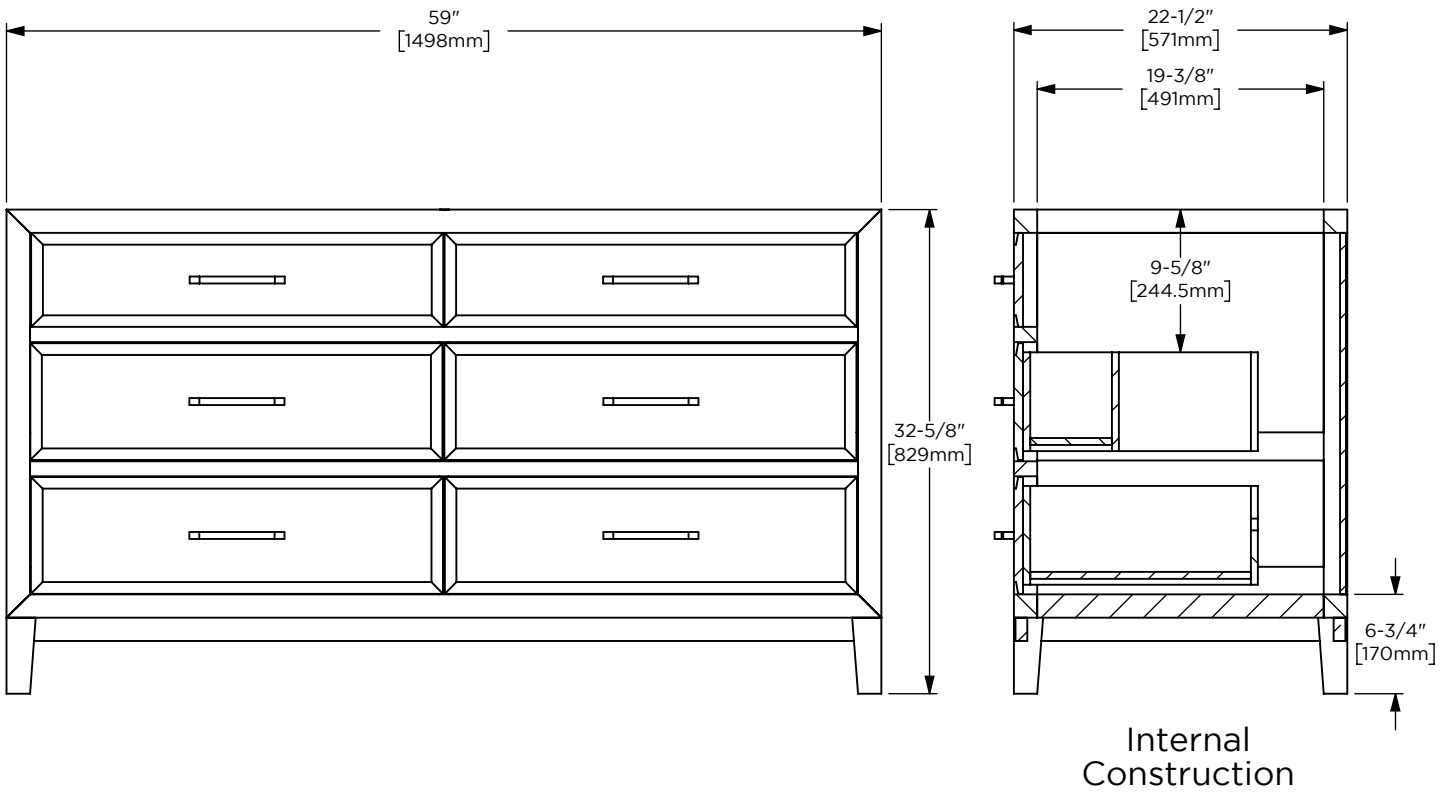
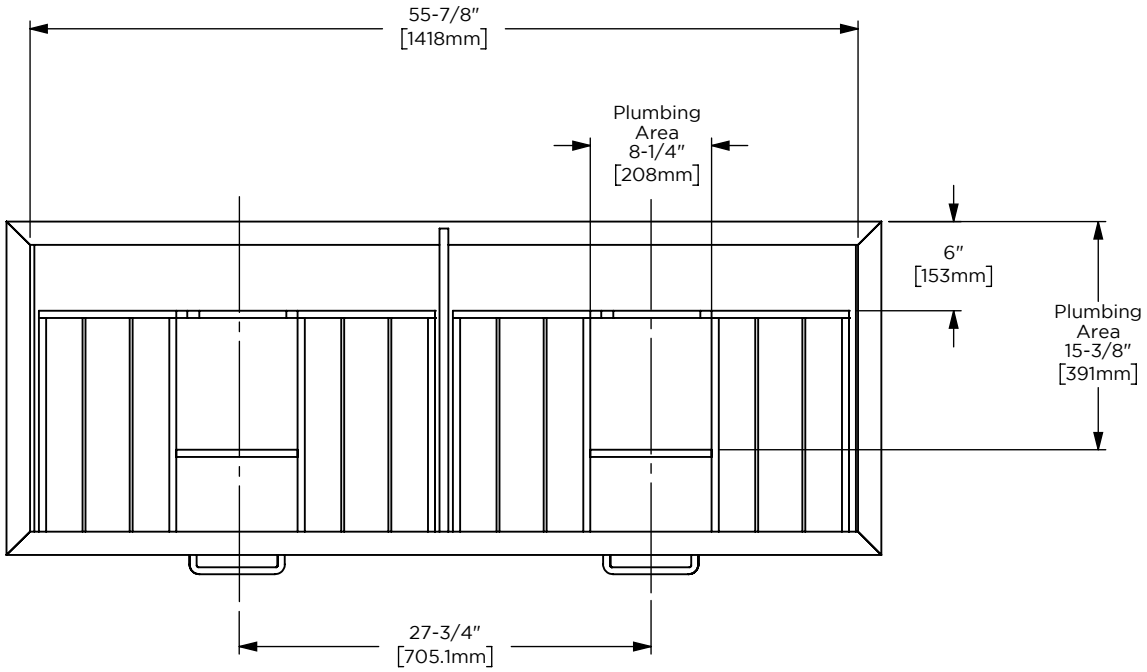
Width: 59"
 Height: 32-5/8"
 Depth: 22-1/2"



Model Number Key

PRODUCT LINE	CATEGORY	COLLECTION	WIDTH	FINISH OPTIONS	OPTIONS
C = Craft Series	V = Vanity	CH = Chestnut	60"	(See above)	(See above)

Chestnut Hill 60" Vanity CVCH60



Features

- Silestone Quartz Surface
- Includes Robern Ceramic Lavatory
- Includes installation hardware

Materials & Construction

- Pre-drilled for 8" wide spread faucet

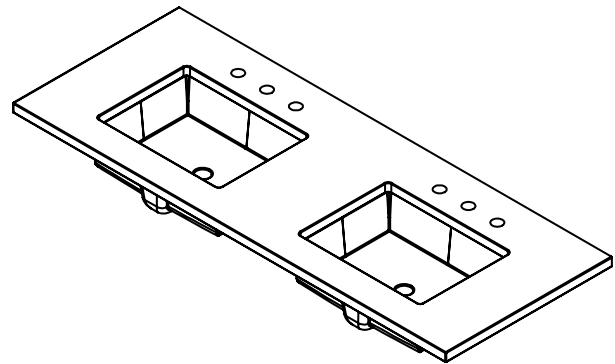
Options

- Available finishes:
 - 93, White Zeus Extreme
 - 95, Eternal Marquina
 - 96, Pietra
 - 97, Calypso
 - 98, Eternal Serena
 - 99, Silken Pearl
 - 100, Eternal Calcatta Gold
 - 101, Iconic Black

- Pairs with Chestnut Hill 60" vanities

Dimensions

Width: 60"
 Height: 1-1/8"
 Depth: 23"



Model Number Key

CATEGORY	DEPTH	WIDTH	LAV TYPE	OVERFLOW	COLORS	DASH	FAUCET HOLES	OPTIONS
T = Top	A = 23" Depth Fabricated Top	60"	U = Under Counter	D = Dual/Double Sink (60in Only)	(See above)	-	8 = 3 Holes Drilled (Centered on Lav Location)	(See above)

60" Top TA60UD0XXX-8CS5

