

Features

- Carved beveled drawer detail
- Tapered leg design
- Top drawer is false front
- Middle drawer is plumbing drawer
- Bottom drawer is full drawer
- Removable glass drawer dividers included

Materials & Construction

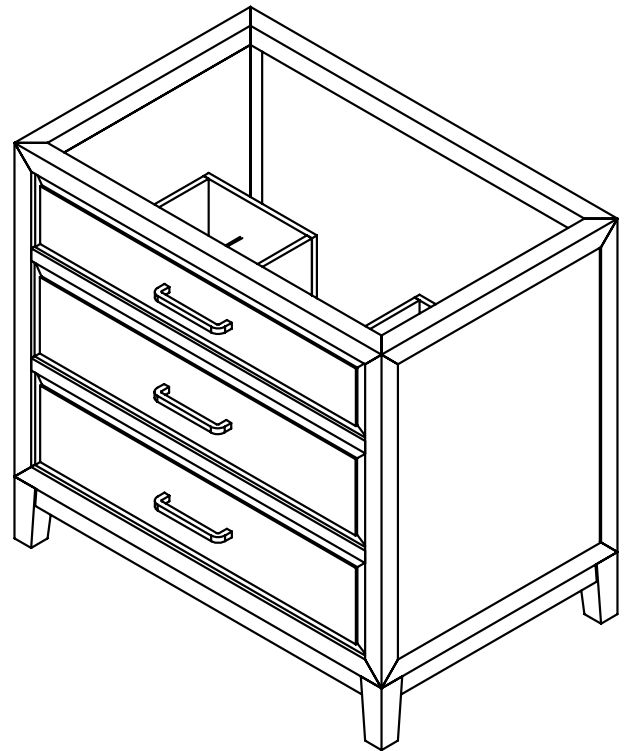
- Solid wood and veneer construction
- Full plywood back panel, no cutout
- Dovetailed drawers
- Pre-installed solid stainless steel hardware
- Blum undermount full extension slow close slides
- Durable, moisture resistant polyurethane finish
- Adjustable leveling feet

Options

- Available in:
 CVCH3620369, Light Gray Oak paired with Brushed Pewter
 CVCH3621068, Weather Oak Drift paired with Iron Black
- Coordinating engineered stone tops:
 TA36UCO93-8CS2
 TA36UCO95-8CS2
 TA36UCO96-8CS2
 TA36UCO97-8CS2
 TA36UCO98-8CS2
 TA36UCO99-8CS2
 TA36UCO100-8CS2
 TA36UCO101-8CS2
- Coordinating mirrors available

Dimensions

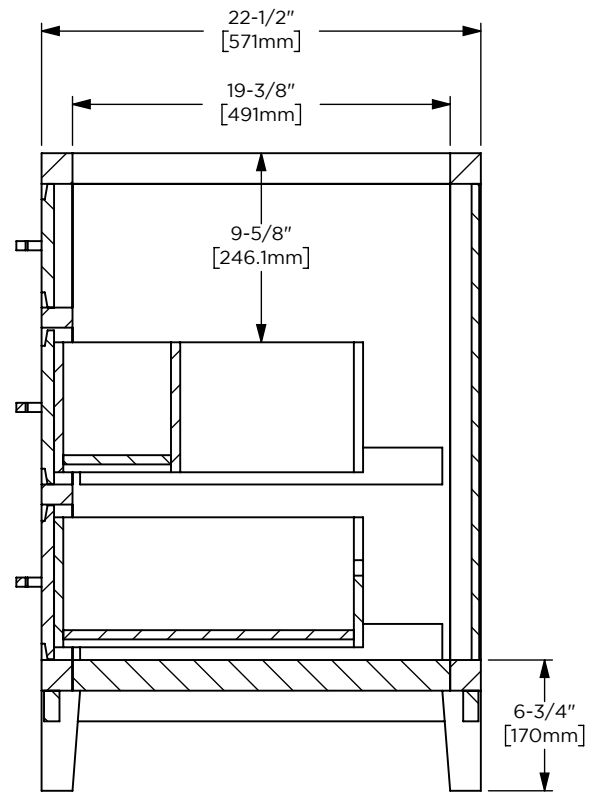
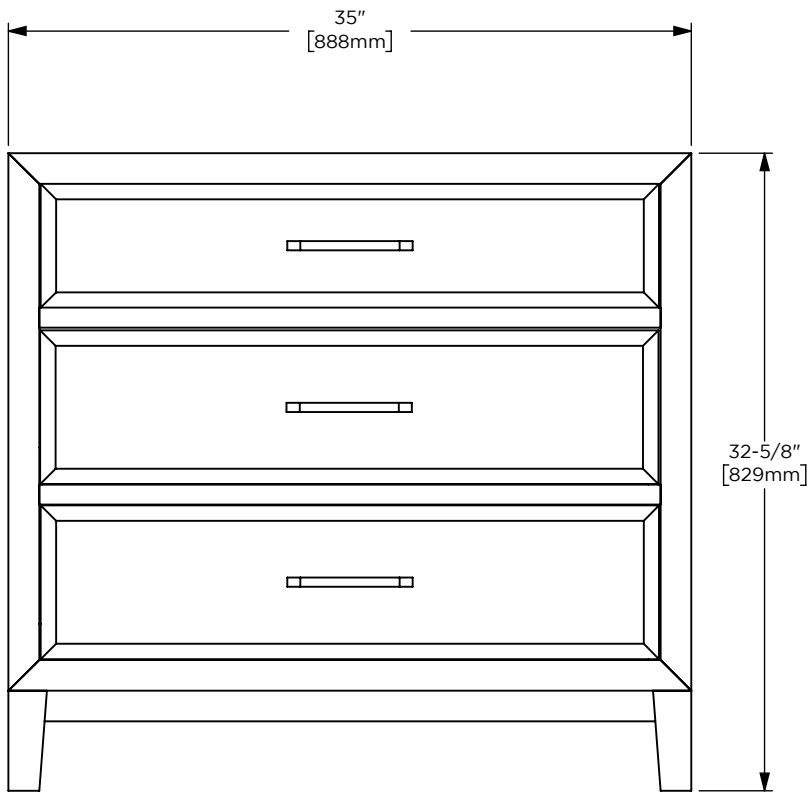
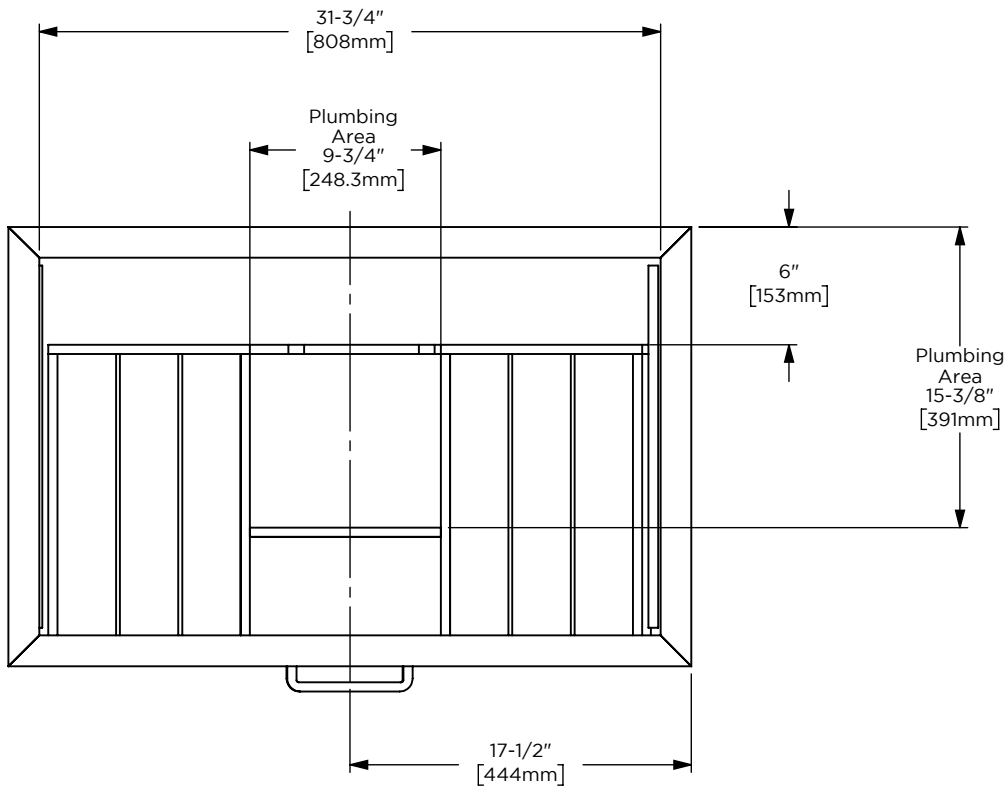
Width: 35"
 Height: 32-5/8"
 Depth: 22-1/2"



Model Number Key

PRODUCT LINE	CATEGORY	COLLECTION	WIDTH	FINISH OPTIONS	OPTIONS
C = Craft Series	V = Vanity	CH = Chestnut	36"	(See above)	(See above)

Chestnut Hill 36" Vanity CVCH36



Internal Construction

Features

- Silestone Quartz Surface
- Includes Robern Ceramic Lavatory
- Includes installation hardware

Materials & Construction

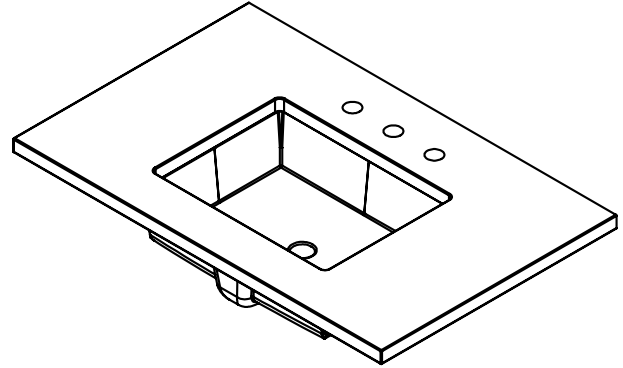
- Pre-drilled for 8" wide spread faucet

Options

- Available finishes:
 - 93, White Zeus Extreme
 - 95, Eternal Marquina
 - 96, Pietra
 - 97, Calypso
 - 98, Eternal Serena
 - 99, Silken Pearl
 - 100, Eternal Calcatta Gold
 - 101, Iconic Black
- Pairs with Craft Series Chestnut Hill, Bergman, Sendai, and Mackey 36" vanities

Dimensions

Width: 36"
Height: 1-1/8"
Depth: 23"



Model Number Key

CATEGORY	DEPTH	WIDTH	LAV TYPE	OVERFLOW	COLORS	DASH	FAUCET HOLES	OPTIONS
T = Top	A = 23" Depth Fabricated Top	36"	U = Under Counter	C = Center Mounted	(See above)	-	8 = 3 Holes Drilled (Centered on Lav Location)	(See above)

36" Top TA36UCOXXX-8CS2

