

Features

- Satin anodized aluminum extrusion
- Includes installation hardware
- Alcove kits are replaceable and sold separately for convenience
- Only one Alcove kit is required for corner installations

Dimensions

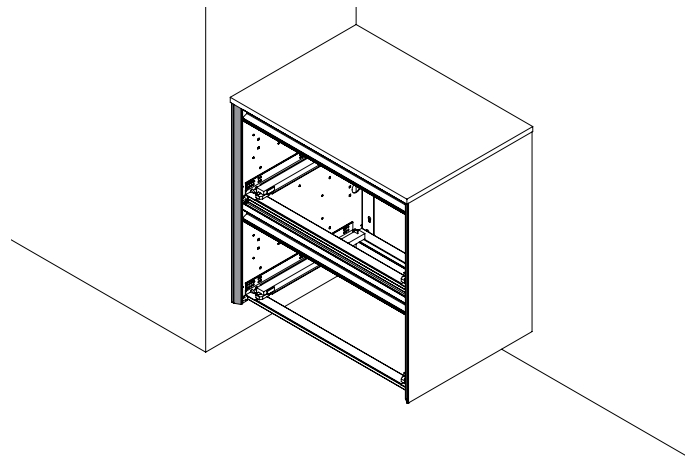
Height: 30" (762 mm)
Width: +3/8" (9.5 mm) per side of vanity

Options

- Other heights available -
 - H1 - 7-1/2" (191 mm)
 - H2 - 15" (381 mm)
 - H3 - 22-1/2" (572 mm)

Compatibility

- Designed to finish the corner of a frame or a multiple frame assembly that totals 30" in height
- See instructions 209-1246
- Do not stack alcove kits

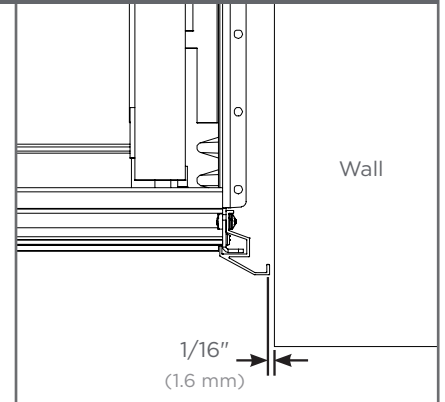
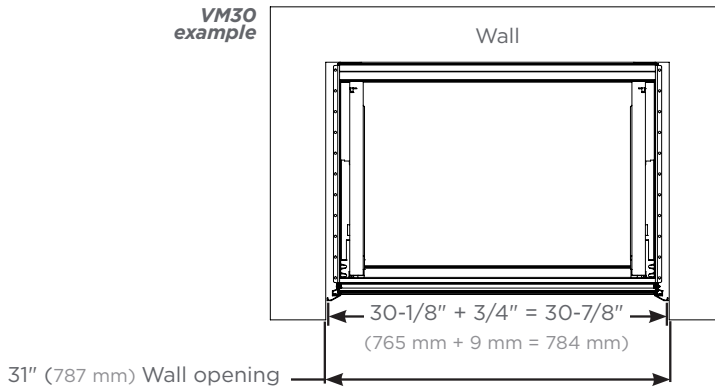


Model Number Key

Vanity	Cartesian	Type of Kit	Height
V	M	AKIT = Alcove	H4 = 30"

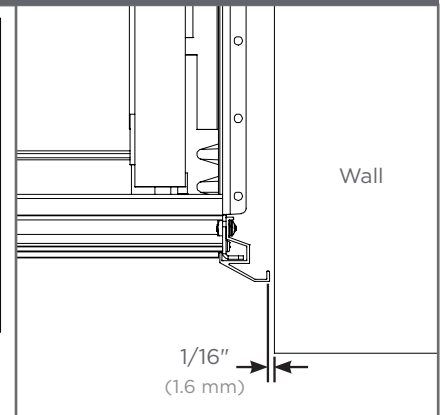
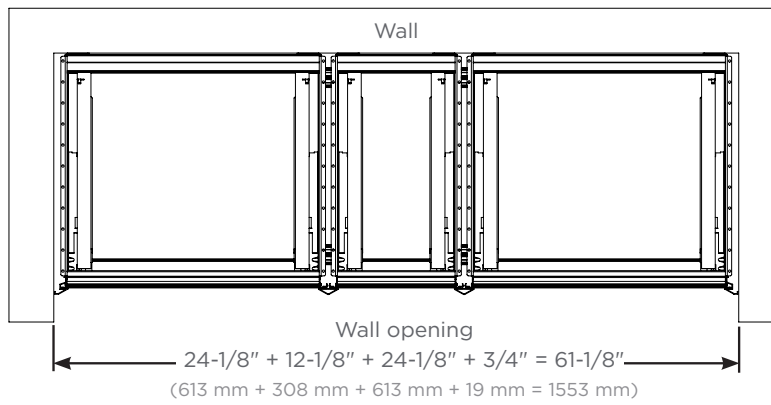
Alcove Installation

VM30 example



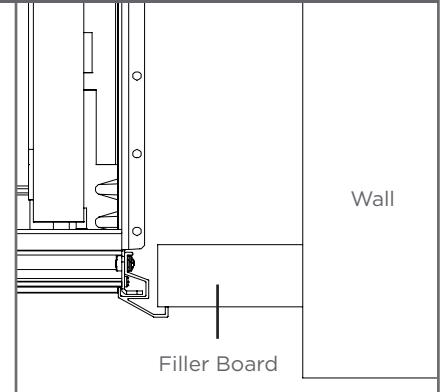
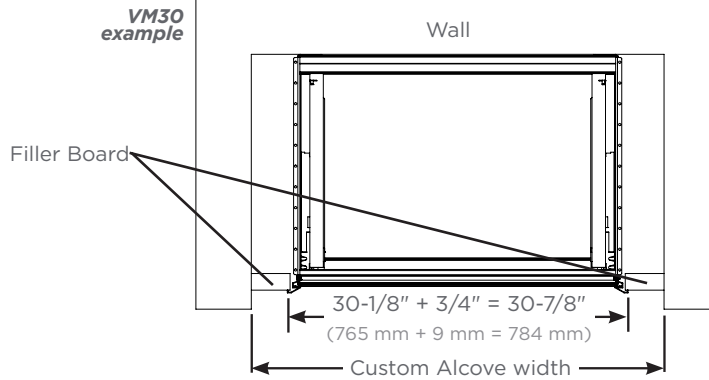
Custom Alcove Installation

VM24 + VM12 + VM24 example



Custom Alcove Installation with fillers

VM30 example



Corner Installation

VM24 + VM12 example

