

**Features**

- Satin anodized aluminum extrusion
- Includes installation hardware
- Alcove kits are replaceable and sold separately for convenience
- Only one Alcove kit is required for corner installations

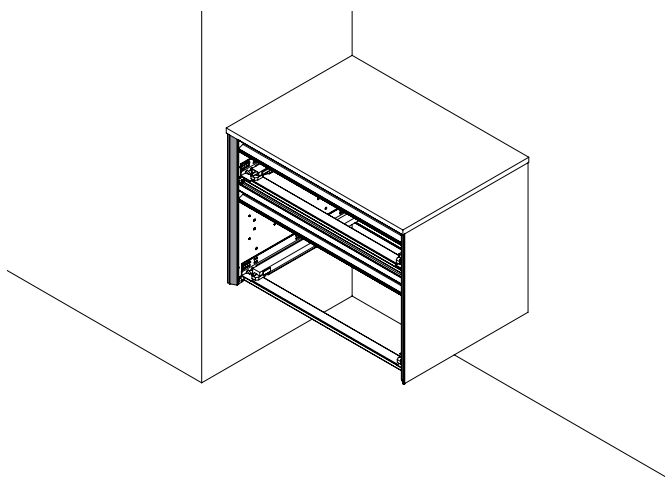
**Dimensions**

**Height:** 22-1/2" (572 mm)  
**Width:** +3/8" (9.5 mm) per side of vanity



**Options**

- Other heights available -
  - H1 - 7-1/2" (191 mm)
  - H2 - 15" (381 mm)
  - H4 - 30" (762 mm)



**Compatibility**

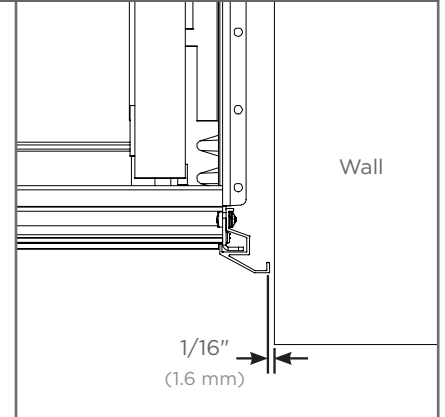
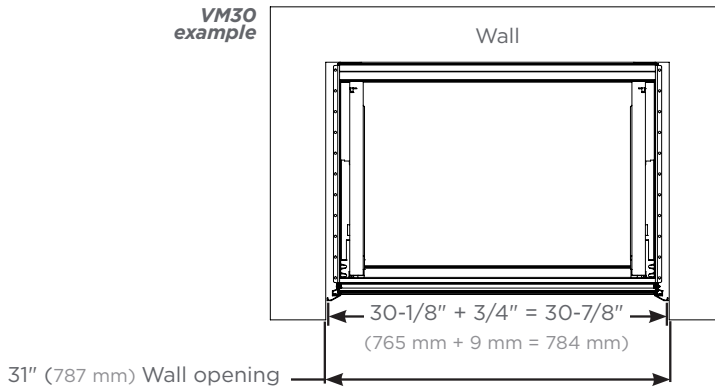
- Designed to finish the corner of a frame or a multiple frame assembly that totals 22-1/2" in height
- See instructions 209-1246
- Do not stack alcove kits

**Model Number Key**

Vanity	Cartesian	Type of Kit	Height
V	M	AKIT = Alcove	H3 = 22-1/2"

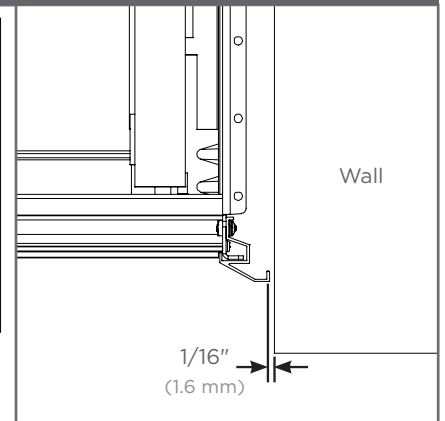
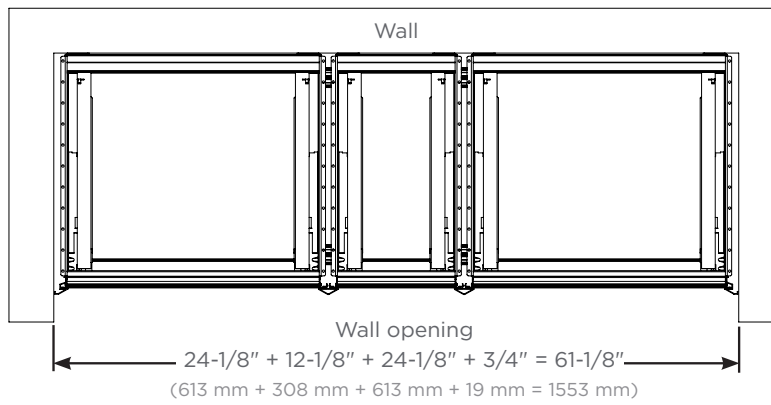
### Alcove Installation

*VM30 example*



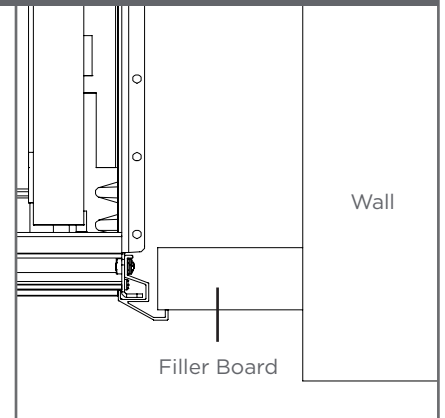
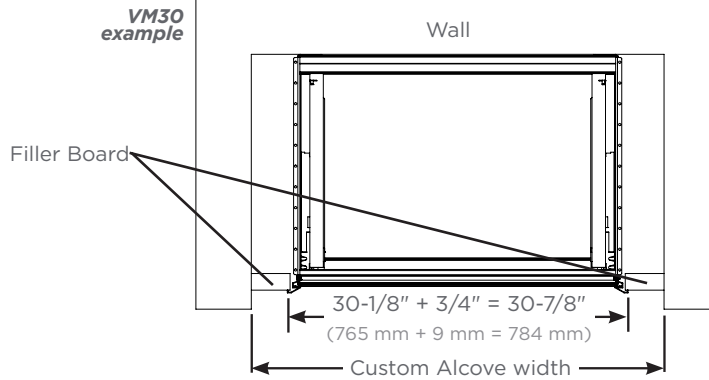
### Custom Alcove Installation

*VM24 + VM12 + VM24 example*



### Custom Alcove Installation with fillers

*VM30 example*



### Corner Installation

*VM24 + VM12 example*

