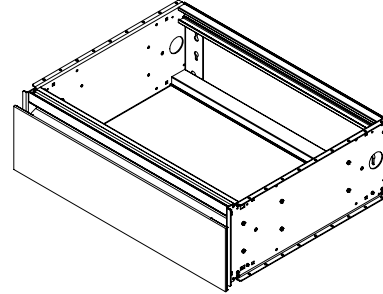


### Features

- Modular Vanity - Build arrays both stacked and ganged
- Mates to both H1D18 (7.5" high) & H2D18 (15" high) series vanities
- Handleless ergonomic continuous drawer
- False Front version allows for standard undermount sink

### Construction

- All aluminum and glass construction - aluminum structural frame and glass drawer front
- Constructed for wall hanging loads with stone tops
- Includes installation hardware using secure structural bolts
- Glass fronts and optional side kits are replaceable
- Glass side kits sold separately



### Codes / Standards Applicable

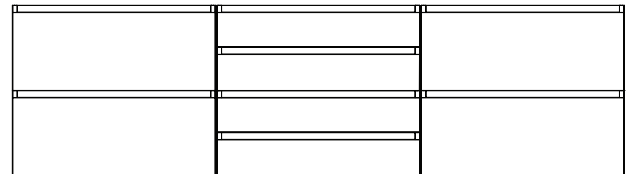
- Optional Night Light is ETL certified to:
  - UL 2108
  - CSA Standard C22.2 No. 250

### Dimensions

Height: 7-1/2" (191 mm)  
 Width: 24-1/8" (613 mm) - with side kits installed  
 Depth: 18-3/4" (476 mm)

### Options

- Choice of False Front, Front Tip Out, Split Plumbing Drawer, or Full Drawer
- Integrated night light with light bar built into top frame provides drawer illumination and for wayfinding light in either 2700 kelvin or 4000 kelvin
- Glass finish options: Mirror, patterned glass, and back painted glass - gloss or matte
- Other widths available
- Standard depth available 21-3/4" (552 mm) - D21



(2) H2 Cartesian vanities stacked + (4) H1 Cartesian vanities stacked + (2) H2 Cartesian vanities stacked

### Model Number Key

|    | Width | Height | Depth | Drawer Style    | Glass Finish            |                   | Night light Option           |
|----|-------|--------|-------|-----------------|-------------------------|-------------------|------------------------------|
| VM | 24    | H1     | D18   | R = False Front | 11 = Tinted Grey Mirror | 22 = Beach        | N = Base Unit (Not Included) |
|    |       |        |       |                 | 20 = Black              | 26 = Matte White  | S = Selectable 2700K / 4000K |
|    |       |        |       |                 | 21 = White              | 27 = Matte Gray   |                              |
|    |       |        |       |                 |                         | 28 = Matte Black  |                              |
|    |       |        |       |                 |                         | 60 = Reeded White |                              |
|    |       |        |       |                 |                         | 61 = Reeded Brass |                              |
|    |       |        |       |                 |                         | 12 = Satin Bronze |                              |
|    |       |        |       |                 |                         | 19 = Satin White  |                              |

## Electrical System

- Night light option - 12VDC plug-in transformer  
Locate wall outlet as per installation instructions 209-1231

## Optional Accessories

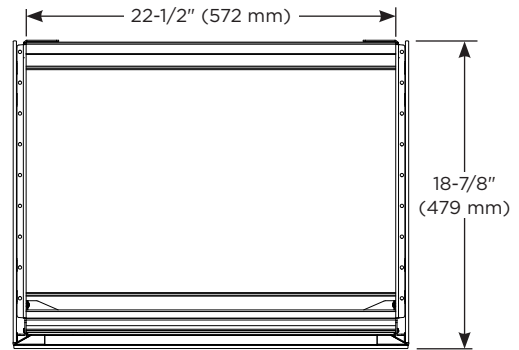
- Robern Engineered Stone Tops and porcelain sink available

## Modularity Accessories

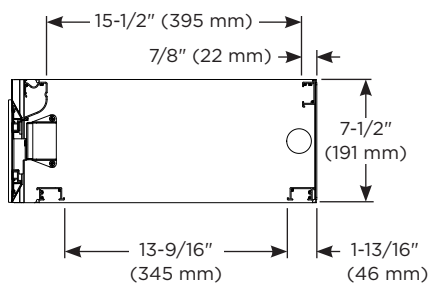
Available in 4 heights (based on final configuration)

- Ganging kits:
  - 7-1/2" (VMGKITH1)
  - 22-1/2" (VMGKITH3)
  - 15" (VMGKITH2)
  - 30" (VMGKITH4)
- Alcove finishing kits:
  - 7-1/2" (VMAKITH1)
  - 22-1/2" (VMAKITH3)
  - 15" (VMAKITH2)
  - 30" (VMAKITH4)
- Side kits (**Single**):
  - 7-1/2" (VM1SKH1D18##)\*
  - 22-1/2" (VM1SKH3D18##)\*
  - 15" (VM1SKH2D18##)\*
  - 30" (VM1SKH4D18##)\*
- Side kits (**Pair**):
  - 7-1/2" (VM2SKH1D18##)\*
  - 22-1/2" (VM2SKH3D18##)\*
  - 15" (VM2SKH2D18##)\*
  - 30" (VM2SKH4D18##)\*

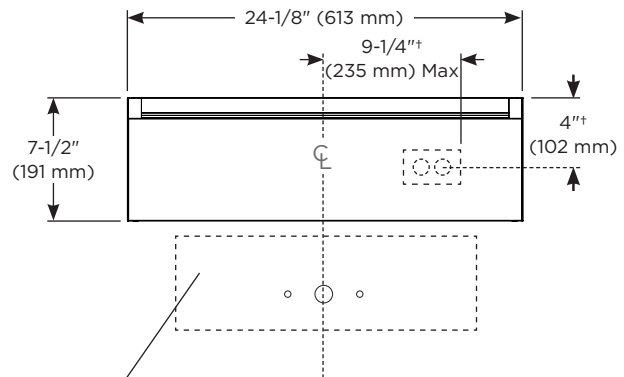
\*## - See Robern Price Book for a list of available finish options



Top view for plumbing and sink clearance



Side view for plumbing



Front view

\*Rough in location for optional night light

## Installation Notes

**Install this product according to the installation guide 209-1231.**

- The Robern Engineered Stone Tops and porcelain sinks are recommended for this vanity.
- Special site preparation is required. Wall bracing and Robern supplied hardware are recommended.
- If a sink will be installed, the plumbing must be roughed into the plumbing cutout area of the vanity. Refer to the sink rough-in and the vanity rough-in for proper placement. The water supply and drain lines must be installed before installing the vanity.