

Features

- Modular Vanity - Build arrays both stacked and ganged
- Mates to both H1D18 (7.5" high) & H2D18 (15" high) Series
- Handleless ergonomic continuous drawer
- Includes 2 fully adjustable glass drawer dividers

Construction

- All aluminum and glass construction - designed for disassembly and recycle, aluminum structural frame and drawer sides, glass drawer fronts, and safety backed glass drawer bottom
- Heavy duty, full extension, soft close drawers slides
- Constructed for wall hanging loads with stone tops
- Glass fronts and optional side kits are replaceable
- Includes installation hardware using secure structural bolts
- Glass side kits sold separately

Codes/Standards Applicable

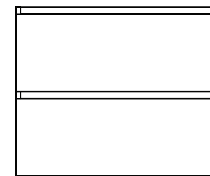
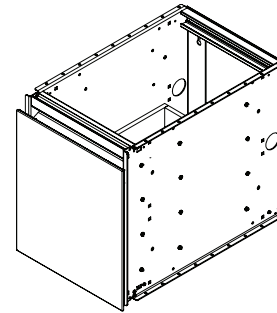
- Night Light Option is ETL certified to:
 - UL 2108
 - CSA Standard C22.2 No. 12
- Electric outlet accessory is ETL certified to:
 - UL 1363
 - CSA Standard C22.2 No. 21

Dimensions

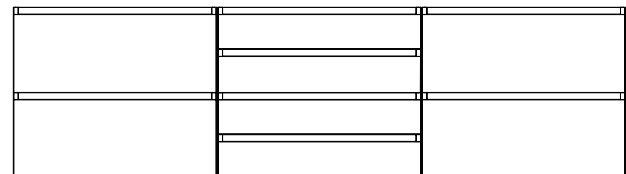
Height: 15" (381 mm)
 Width: 12-1/8" (308 mm) - with side kits installed
 Depth: 18-3/4" (476 mm)

Configurable Options

- Integrated LED night light (L) - Light bar built into top frame provides drawer illumination
- Glass finish options: Mirror, patterned glass, and back painted glass - gloss or matte
- Other widths available - 24" (613 mm) / 30" (765 mm) / 36" (918 mm)
- 7-1/2" (191 mm) drawer height available - H1
- Larger depth available 21-3/4" (552 mm) - D21
- In-drawer electrical outlets



Two H2 - 15" (381 mm) Cartesian vanities stacked
 Total height 30" (762 mm)



(2) H2 Cartesian vanities stacked + (4) H1 Cartesian vanities stacked + (2) H2 Cartesian vanities stacked

Model Number Key

Vanity	Cartesian	Width	Height	Depth	Drawer Style	Glass Finish	Night Light
V	M	12"	H2 = 15"	D18 = 18-3/4"	F = Full Drawer	10 = Mirror 11 = Tinted Gray Mirror 12 = Satin Bronze 19 = Satin White 20 = Black 21 = White 22 = Beach 23 = Ocean 24 = Smoke Screen 25 = Silver Screen 26 = Matte White 27 = Matte Gray 28 = Matte Black 60 = Reeded White 61 = Reeded Brass	N = Base Unit L = 5000K S = Selectable 2700K / 4000K

Electrical System

- Night light option - 12VDC plug-in transformer
Locate wall outlet as per installation instructions 209-1232
- In-drawer 3 outlet and switch box option - plug-in cord
Locate wall outlet as per installation instructions 209-1232
120VAC 20A outlet - GFCI protected

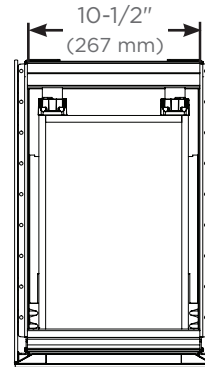
Add-On Accessories

- Insert Plumbing Drawer (VADRAWER12P)
- Insert Full Drawer (VADRAWER12X)
- In drawer electrical outlets (VAELECTRIC18)
- Assorted glass bins:
 - Divided storage (GLASSBIN6.38)
 - Small (GLASSBIN3.25)
 - Medium (GLASSBIN5.25)
 - Large (GLASSBIN8.5)
- Hair Styling Organizer (VAHAIRORG)
- Robern Engineered Stone Tops and porcelain sink available

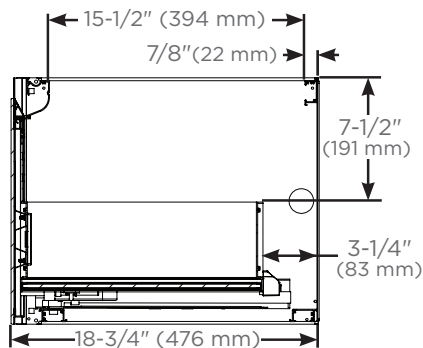
Modular Kits

Available in 4 heights (based on final configuration)

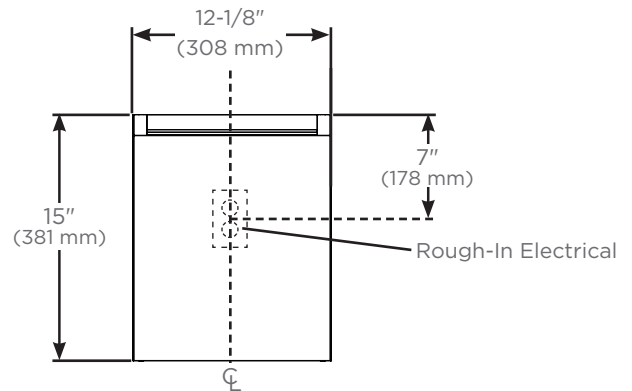
- Side kits (**Single**):
 - 7-1/2" (VM1SKH1D18##)
 - 15" (VM1SKH2D18##)
 - 22-1/2" (VM1SKH3D18##)
 - 30" (VM1SKH4D18##)
- Side kits (**Pair**):
 - 7-1/2" (VM2SKH1D18##)
 - 15" (VM2SKH2D18##)
 - 22-1/2" (VM2SKH3D18##)
 - 30" (VM2SKH4D18##)
- Ganging kits:
 - 7-1/2" (VMGKITH1)
 - 15" (VMGKITH2)
 - 22-1/2" (VMGKITH3)
 - 30" (VMGKITH4)
- Alcove finishing kits:
 - 7-1/2" (VMAKITH1)
 - 15" (VMAKITH2)
 - 22-1/2" (VMAKITH3)
 - 30" (VMAKITH4)



Top view for plumbing and sink clearance



Side views for plumbing and sink clearance with door front



Front view with side kits

Installation Notes

Install this product according to the installation guide 209-1232.

- The Robern Engineered Stone Tops and porcelain sinks are recommended for this vanity.
- Special site preparation is required. Wall bracing and Robern supplied hardware are recommended.
- If a sink will be installed, the plumbing must be roughed into the plumbing cutout area of the vanity. Refer to the sink rough-in and the vanity rough-in for proper placement. The water supply and drain lines must be installed before installing the vanity.