

Features

- Satin anodized aluminum extrusion
- Includes filler, spacers, and installation hardware

Dimensions

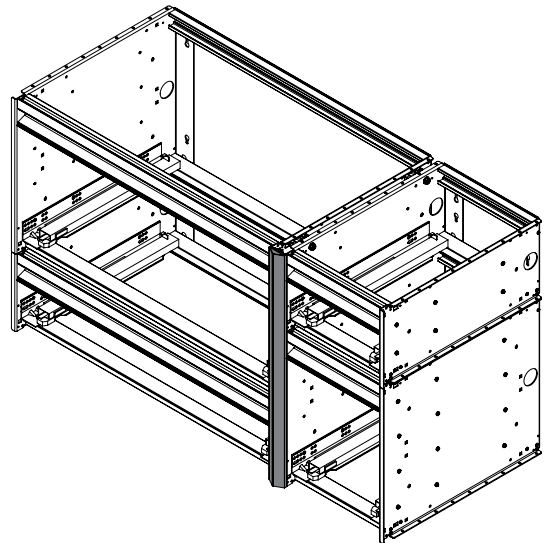
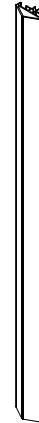
Height: 22-1/2" (572 mm)

Options

- Other heights available -
 - H1 - 7-1/2" (191 mm)
 - H2 - 15" (381 mm)
 - H4 - 30" (762 mm)

Compatibility

- Designed to join and finish a frame or a multiple frame assembly that totals 22-1/2" in height
- See instructions 209-1245
- Do not stack ganging kits



Model Number Key

| Vanity | Cartesian | Type of Kit | Height |
|--------|-----------|----------------|--------------|
| V | M | GKIT = Ganging | H3 = 22-1/2" |