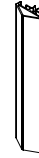


Features

- Satin anodized aluminum extrusion
- Includes filler, spacers, and installation hardware

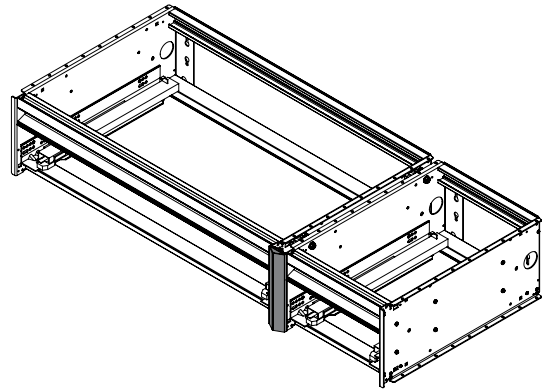
Dimensions

Height: 7-1/2" (191 mm)



Options

- Other heights available -
 - H2 - 15" (381 mm)
 - H3 - 22-1/2" (572 mm)
 - H4 - 30" (762 mm)



Compatibility

- Designed to join and finish a frame or a multiple frame assembly that totals 7-1/2" in height
- See instructions 209-1245
- Do not stack ganging kits

Model Number Key

Vanity	Cartesian	Type of Kit	Height
V	M	GKIT = Ganging	H1 = 7-1/2"