

INSTALLATION AND CARE OF YOUR ROBERN SERIES C MIRRORED CABINET

THE FINEST
MIRRORED
CASEWORK
IN THE
WORLD...

INSTALLER NOTE:

1. DOOR ALIGNMENT
IS AFFECTED BY OUT
OF SQUARE WALLS-
CHECK PLUMB.

2. DOOR ALIGNMENT
IS AFFECTED BY
MISHANDLING OF
CABINET- CHECK
SQUARE.

Limited Warranty
One Year Term

Robern warrants to the original purchaser that, it will, at its election repair, replace, or make appropriate adjustment to products made by this company shown to have significant defects in material or workmanship which are reported to Robern in writing within one (1) year from the date of delivery. Robern is not responsible for installation costs.

The warranty time period for operating components including door hinges and opening devices to the original owner extends beyond the one year term.

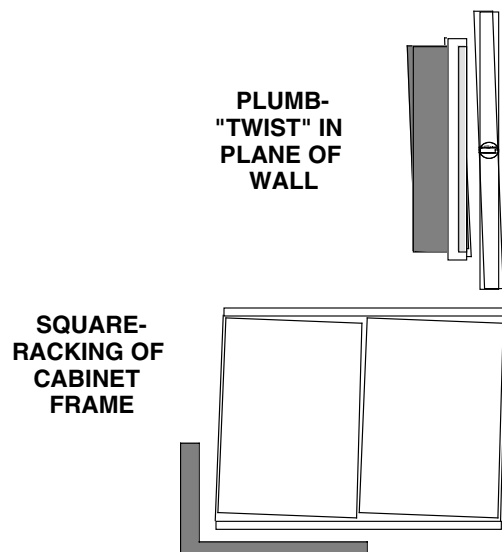
The warranty is void in the event the product is damaged in transit, or if damage or failure is caused by abuse, misuse, abnormal usage, faulty installation, damage in an accident, improper maintenance, or any repairs other than those authorized by Robern. At the expiration of the one year warranty period, Robern shall be under no further obligation under any warranty, expressed or implied, including the implied warranty of merchantability.

Robern shall not be liable for any consequential damages arising out of or in connection with the use or performance of its products. Some states do not allow limitations on how long an implied warranty lasts or do not allow the exclusion or limitation of incidental or consequential damages, so the above limitation or exclusion may not apply to you.

Any liability against Robern under any implied warranty, including the warranty of merchantability, is expressly limited to the terms of this warranty.

Permission to return any merchandise under this warranty must be authorized by Robern and returned prepaid by the purchaser.

Claims under this warranty should be sent directly to your dealer.



ROBERN SERIES C BATH CABINETS

UNPACKING THE CABINET:

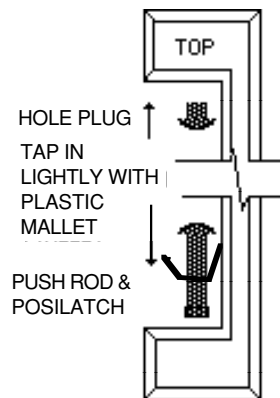
1. READ THE INSTRUCTIONS FIRST. CHECK PARTS LIST FOR ANY MISSING ITEMS.
2. REMOVE CABINET FROM BOX AND CHECK BOX THOROUGHLY FOR ITEMS TAPED INSIDE.
3. DO NOT REMOVE TABS COVERING DOOR EDGES, TRIM MIRROR OR FOAM BLOCKS HOLDING DOORS IN PLACE UNTIL READY TO INSTALL.

GENERAL NOTES:

1. A SQUARE AND PLUMB INSTALLATION INSURES PROPER DOOR OPERATION. PLEASE FOLLOW LEVELING INSTRUCTIONS CAREFULLY.
2. IMPROPER INSTALLATION VOIDS WARRANTY. INSTALLED CABINETS CANNOT BE RETURNED.
3. SEE CARE OF YOUR ROBERN CABINET FOR CLEANING AND ADJUSTMENTS.

SINGLE DOOR CABINETS:

SINGLE DOOR CABINETS CAN BE INSTALLED WITH THE DOOR SWINGING FROM LEFT OR RIGHT. IN THE HARDWARE BAG YOU WILL FIND A DOME HEAD PUSH ROD, POSILATCH AND A SNAP IN HOLE PLUG. INSTALL THE PUSH ROD IN THE HOLE INSIDE THE BOTTOM TRACK AND THE HOLE PLUG IN THE TOP TRACK AS SHOWN. FOLLOW POSILATCH INSTRUCTIONS.



INSTALLATION AND CARE

WARNING: An Electrical option cabinet must be wired to a 20 Amp GFI (Ground Fault Interrupter) protected circuit when used in bathrooms and all other locations required by the National Electric Code.

AVERTISSEMENT: Une armoire à option électrique doit être câblée à un circuit protégé par un GFI (disjoncteur de fuite de terre) de 20 ampères si elle est utilisée dans des salles de bain et dans tous autres emplacements requis par le National Electric Code (Code électrique national).

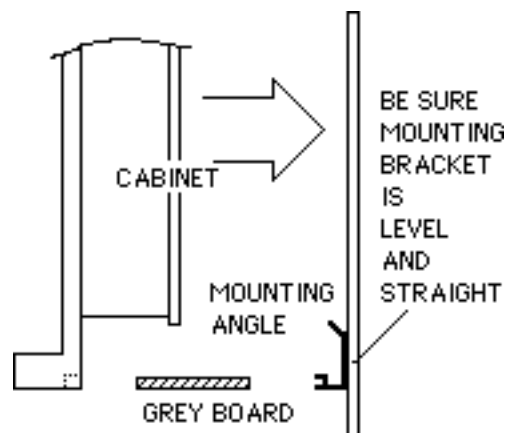
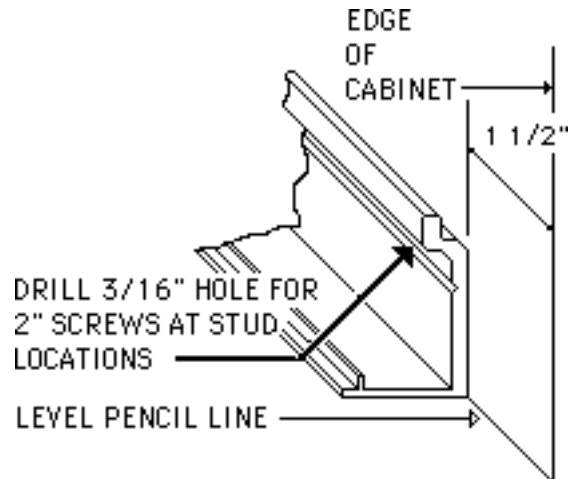
SURFACE MOUNT CABINETS

A SEPARATE SURFACE KIT MARKED **SK-28 (38)** IS NECESSARY FOR SURFACE MOUNTING YOUR CABINET. THIS KIT CONTAINS TWO SIDE MIRRORS WHICH ARE APPLIED TO THE CABINET AFTER IT IS HUNG ON THE WALL. THE INSTRUCTIONS IN 2.E. COVER THE SK-28/38 INSTALLATION.

IF A TLS LIGHT STRIP IS TO BE INSTALLED OVER THE CABINET A **SKL-28 (38)** IS NECESSARY. THIS SIDE KIT IS 4" LONGER TO COVER THE LIGHT.

1. INSTALL THE MOUNTING BRACKET FIRST:

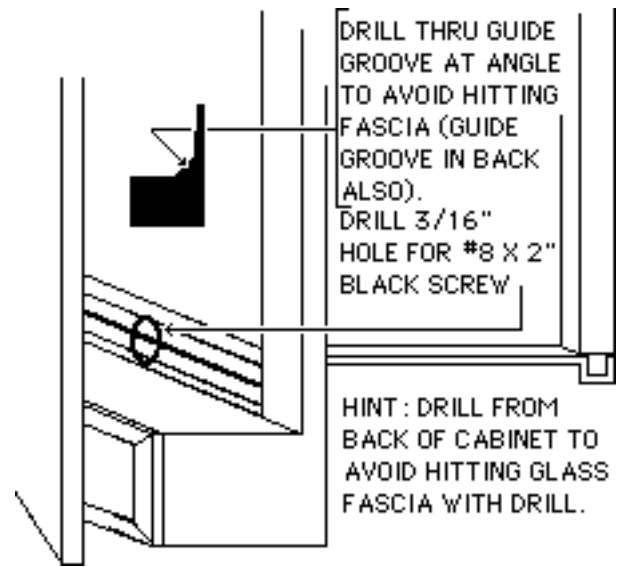
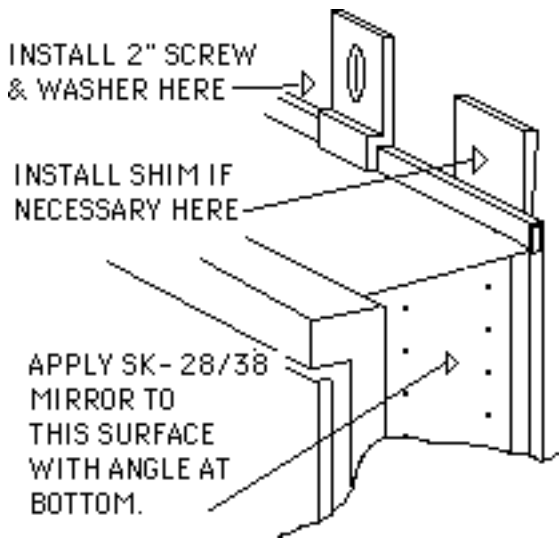
- A. DRAW A PENCIL LINE ON THE WALL WHERE YOU WANT THE BOTTOM EDGE OF THE CABINET. THIS SHOULD BE 39" TO 46" ABOVE FINISHED FLOOR.
- B. DRILL THROUGH THE MOUNTING BRACKET AT STUD LOCATIONS (IF NO STUDS ARE AVAILABLE USE MOLLY TYPE ANCHORS) AS SHOWN LEAVING 1 1/2" ON EITHER SIDE. (MOUNTING BRACKET IS 3" SHORTER THAN CABINET).



2. INSTALLING THE SURFACE MOUNT CABINET:

NOTE: IF THIS CABINET IS PART OF A RE:FLECT SURFACE MOUNTED SYSTEM WITH A RFS SHELF REFER TO THE INSTRUCTIONS WITH THE RF AND RFS PRODUCTS NOW. IF USING CAHC LIGHTS BE SURE ELECTRICAL ROUGH-IN IS COMPLETED

- A. INSERT THE BOTTOM BOARD GREY SIDE DOWN INTO THE SLOT AT THE BOTTOM OF THE CABINET.
- B. LIFT THE CABINET (PUSHROD DOWN) ONTO THE MOUNTING ANGLE WHILE GUIDING THE BOTTOM BOARD INTO THE MOUNTING BRACKET. THE CABINET WILL DROP INTO THE RECESS IN THE BRACKET.
- C. USE 2 OR 3 OF THE RETAINING CLIPS, SCREWS, AND WASHERS TO SECURE THE TOP OF THE CABINET. (SEE DRAWING ON PAGE 3)
- D. BE SURE CABINET IS PLUMB AND SQUARE.
- E. TEST FIT THE SK SIDE MIRRORS FIRST. MOUNT EACH MIRROR IN THE SK KIT BY PEELING THE RELEASE PAPER FROM THE BACK AND PRESSING FIRMLY ON TO THE SIDE OF THE CABINET. THE SIDE MUST BE CLEAN, DRY AND OIL-FREE!



NOTE:
 IF WALLS ARE OUT OF SQUARE IT MAY BE NECESSARY TO SHIM OUT THE CABINET AT ONE OR MORE OF THE RETAINING CLIPS. USE WOOD SHIMS AND POSITION THEM AT THE POINT WHICH KEEPS THE DOORS IN PLANE.

RECESS MOUNT CABINETS

1. WALL OPENING CHART:

MODEL WIDTH	R.O.	MODEL HEIGHT	R.O
16	14 1/2"	28	24"
20	18 1/2"	38	34 3/4"
24	22 3/4"		
32	30 3/4"		
36	34 3/4"		
48	46 3/4'		
60	58 3/4'		

RECOMMENDED HEIGHT FROM FLOOR TO BOTTOM OF ROUGH OPENING:

28" HIGH 48" FROM FINISHED FLOOR
 38" HIGH 41" FROM FINISHED FLOOR
BE SURE 38" HIGH CABINET CLEARS FAUCETS

2. DRILL A MINIMUM OF FOUR HOLES WITH A 3/16" DRILL BIT AS SHOWN. OPENING SHOULD BE FRAMED FOR CABINET, IF NOT BE SURE TO DRILL A STUD LOCATIONS. DRILL VERY CAREFULLY TO AVOID DAMAGE TO CABINET. INSTALL WITH PUSHRODS AT BOTTOM. DO NOT USE WASHERS.

NOTE:
DO NOT INSTALL CABINET THRU SHELF PIN HOLES! THE DOOR FRAME WILL NOT BE PROPERLY SUPPORTED AND WILL RACK OUT OF SQUARE. THE CABINET WARRANTY IS VOID WHEN INSTALLED IN THIS MANNER.

DOOR INSTALLATION AND ALIGNMENT

1. IF ALIGNMENT OF DOORS IS NECESSARY LOOSEN THE 4 PHILLIPS HEAD SCREWS AT THE HINGES. MOVE THE DOOR TO THE PROPER LOCATION (BE SURE AT LEAST 1/8" IS BETWEEN EACH DOOR). RETIGHTEN CAREFULLY TO AVOID STRIPPING. IF DOORS CANNOT BE ALIGNED PROPERLY THE CABINET IS OUT OF SQUARE. CHECK FRAME OF CABINET WITH A FRAMING SQUARE AND ADJUST.
2. IF DOORS DO NOT CLOSE PROPERLY OR IN PLANE, THE CABINET MAY BE MOUNTED ON A WALL WHICH IS NOT FLAT. SHIMMING AS SHOWN TOP LEFT WILL BE NECESSARY UNDER THE SIDE OR CORNER WHICH WILL BRING THE CABINET FACE IN PLANE.
3. REPLACEMENT DOORS ARE SHIPPED WITHOUT HINGES OR TAPERED DOOR STOP. REMOVE THESE ITEMS FROM THE OLD DOOR AND REINSTALL SO THAT PUSHROD ENGAGES TAPERED DOOR STOP AND OPENS DOOR.

USE AND CARE OF YOUR ROBERN CABINET

1. **UNDER NO CIRCUMSTANCES SHOULD AN AMMONIA BASED GLASS CLEANER BE USED ON MIRRORS. USE ONLY A LINT FREE POLISHING CLOTH ON YOUR CABINET. DAMPEN SLIGHTLY WITH RUBBING ALCOHOL FOR STUBBORN MARKS.**
2. USE A MILD LIQUID CLEANER AND WATER ON THE ALUMINUM SURFACES OF THE CABINET. AVOID ALL CLEANSERS WITH ABRASIVES AS THESE WILL SCRATCH THE SURFACE OF THE CABINET.
3. SHELF PINS ARE ADJUSTABLE EVERY 2". THEY ARE DESIGNED FOR A TIGHT FIT, TWIST IN PLACE. GREY PLASTIC PLUGS ARE SUPPLIED IN YOUR HARDWARE BAG TO FILL THE SHELF PIN HOLES NOT IN USE.

4. A SWING OUT MAGNIFYING MIRROR IS ENCLOSED. BE SURE THE HOMEOWNER DETERMINES THE DOOR AND HEIGHT OF THE MIRROR. FOLLOW THE INSTRUCTIONS PROVIDED WITH THE MIRROR. (MODEL SOMM)

5. REFER TO DOOR INSTALLATION AND ALIGNMENT FOR DOOR ADJUSTMENTS.

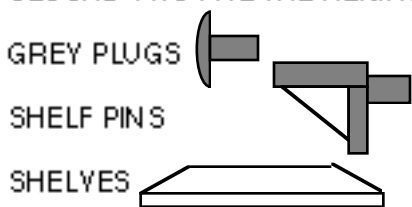
6. IF YOU SHOULD HAVE PROBLEMS WITH YOUR CABINET PLEASE CONTACT YOUR ROBERN DEALER. BE SURE TO INDICATE THE MODEL NUMBER AND SERIAL NUMBER OF YOUR UNIT (FOUND INSIDE CABINET ON SIDE FRAME). NOTE THESE NUMBERS BELOW:

MODEL# _____

SERIAL# _____

PARTS LIST - SERIES C

REFER TO THE MODEL # TO DETERMINE WHICH PARTS APPLY TO YOUR CABINET. (FIRST TWO NUMBERS ARE THE WIDTH, SECOND TWO ARE THE HEIGHT.)

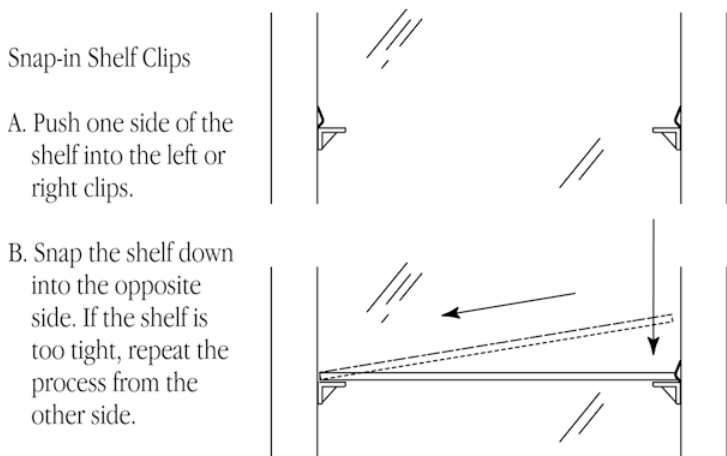


CABINETS UP TO 35 INCHES WIDE

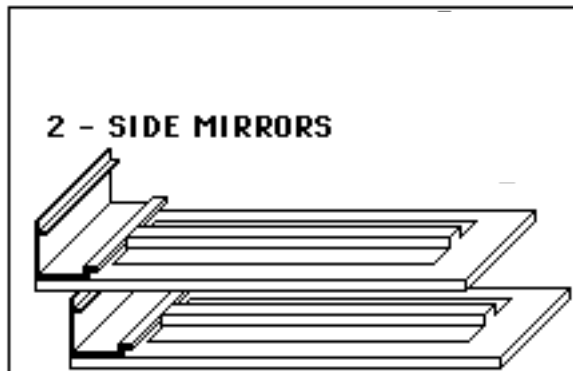
28" HIGH • 2 SHELVES • 8 SHELF PINS • 46 PLUGS
38" HIGH • 3 SHELVES • 12 SHELF PINS • 46 PLUGS

CABINETS 36 INCHES AND OVER

28" HIGH • 4 SHELVES • 16 SHELF PINS • 92 PLUGS
38" HIGH • 6 SHELVES • 24 SHELF PINS • 92 PLUGS



SURFACE KIT IN SK28 OR 38 CARTON



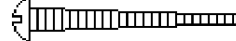
FOR OTHER QUESTIONS RELATING TO YOUR ROBERN CABINET THE FACTORY ADDRESS AND PHONE NUMBER IS:

ROBERN, INC.
701 Nth WILSON AVENUE
BRISTOL, PA 19007
(215) 826.9800
800 877.2376
FAX 215 826.9633

DATE INSTALLED _____

DEALER _____

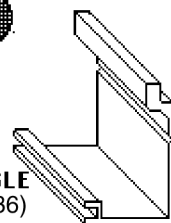
8 - #8 X 2" SCREWS (SS130)



8 - WASHERS (SS129)



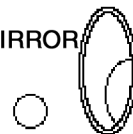
1 - MOUNTING ANGLE (RO36)



1 - GREY BOTTOM BOARD (GVBOARD)



1 - MAGNIFYING MIRROR (SOMMENV)



(SS117)
1 - PUSH ROD & POSILATCH



1 - HOLE PLUG (SS134)



3 - RETAINING CLIPS (RO27011HM)

