

Features

- Solid oak truss beam design
- Open storage shelf

Materials & Construction

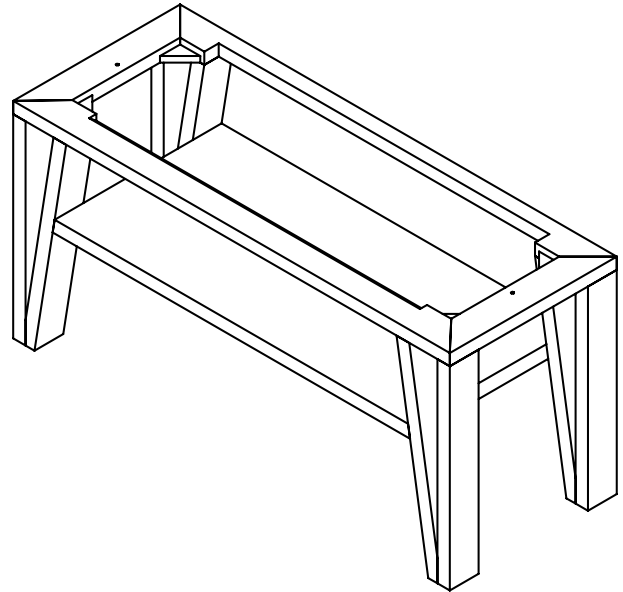
- Solid wood and veneer construction
- Durable, moisture resistant polyurethane finish
- Adjustable leveling feet

Options

- Available in:
 CVBO60203, Light Gray Oak
 CVBO60206, Light Burnt Oak
- Coordinating mineral cast sink with drain cover, TA60MDO___-8CS9
- Coordinating mirrors available

Dimensions

Width: 59-5/8"
 Height: 28-1/8"
 Depth: 22-3/4"



Model Number Key

PRODUCT LINE	CATEGORY	COLLECTION	WIDTH	FINISH OPTIONS	OPTIONS
C = Craft Series	V = Vanity	BO = Bodo	60"	(See above)	(See above)

