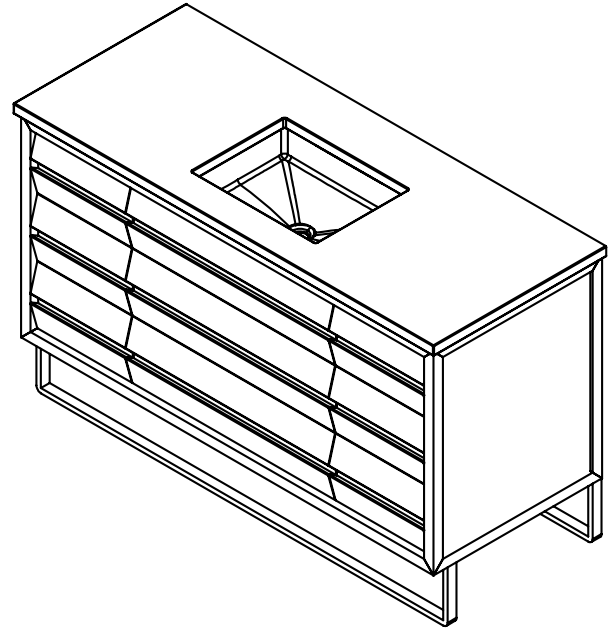


**Options**

## •Available in:

- AS19298, Carrara marble with Greige Oak & Brushed Pewter frame
- AS19299, Carrara marble with Weathered Oak & Antique Bronze frame
- AS19300, Calacatta marble with Greige Oak & Brushed Pewter frame
- AS19301, Calacatta marble with Weathered Oak & Antique Bronze frame



## Features

- Dimensional drawer fronts with integrated metal and wood handle
- Three-way mitered joinery
- Fully welded and polished stainless steel legs
- Top center drawer is false front
- Middle center drawer is a plumbing drawer
- Bottom center drawer is a plumbing drawer
- Side drawers are full drawers
- Removable glass drawer dividers included

## Materials & Construction

- Solid wood and veneer construction
- Full plywood back panel, no cutout
- Dovetailed drawers
- Blum full extension slow close slides.
- Durable, moisture resistant polyurethane finish
- Adjustable leveling feet

## Options

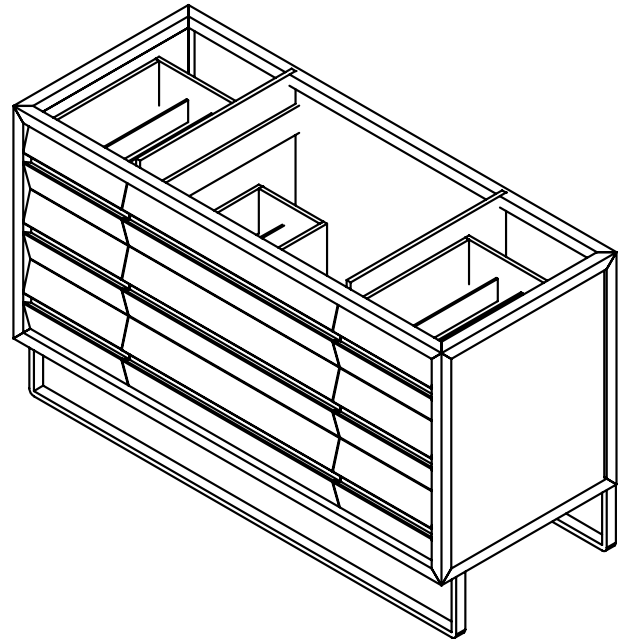
- Available in:
  - CVAL5620988, Weathered Oak paired with Antique Bronze
  - CVAL5620269, Greige Oak paired with Brushed Pewter
- Coordinating Ann Sacks top
- Coordinating mirrors available

## Dimensions

Width: 55"

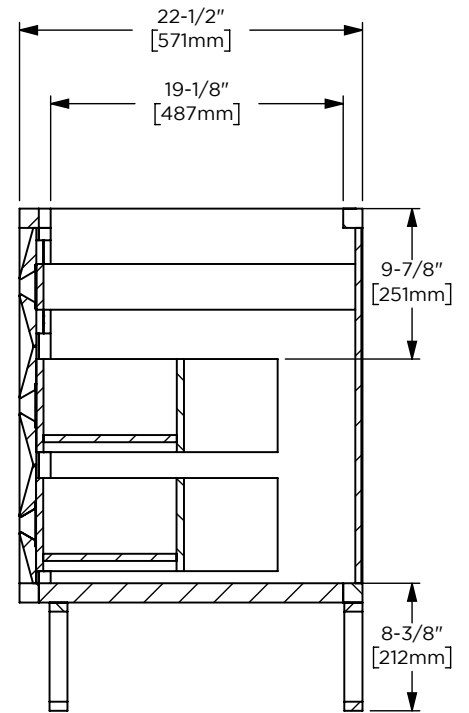
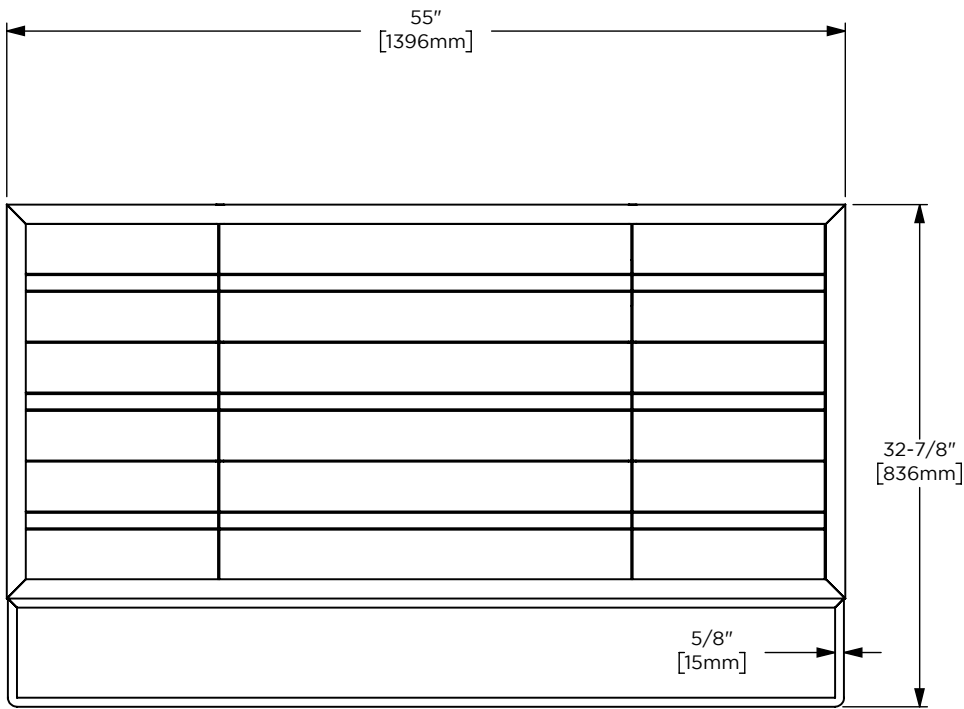
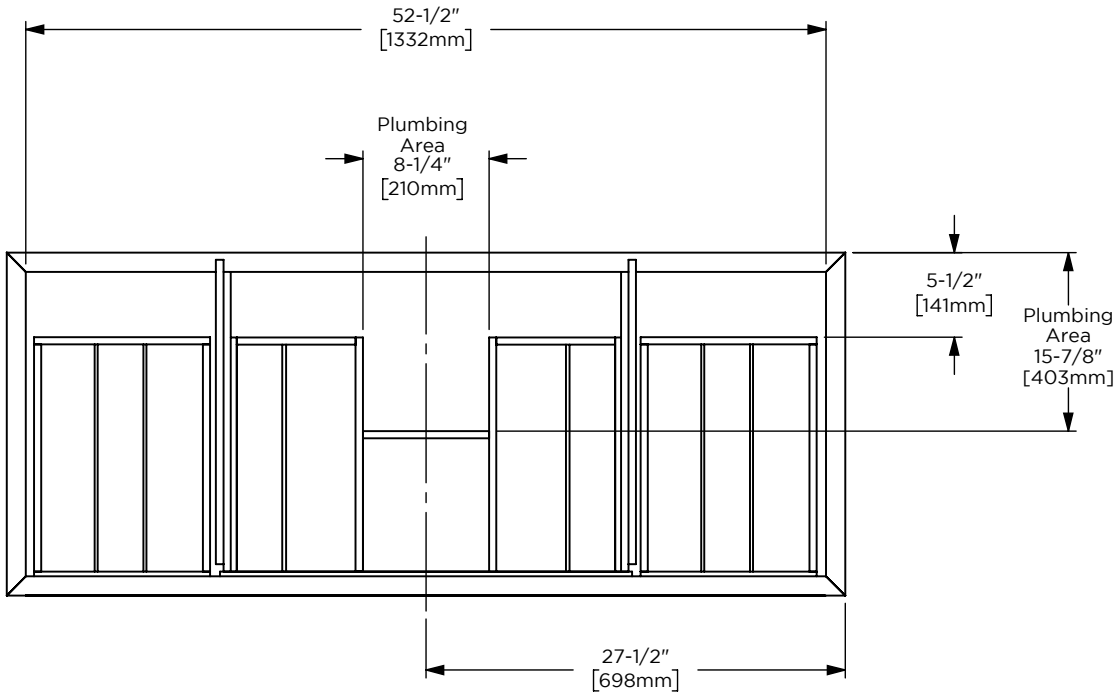
Height: 32-7/8"

Depth: 22-1/2"



## Model Number Key

PRODUCT LINE	CATEGORY	COLLECTION	WIDTH	FINISH OPTIONS	OPTIONS
C = Craft Series	V = Vanity	AL = Alisal	56"	(See above)	(See above)



Internal Construction

### Features

- Stone top is fabricated with pre-drilled knock-outs, accommodating a deck mounted or a wall mounted faucet
- The Alisal stone top is fabricated for the Kallista Perfect Centric Rectangle Basin
- Stone tops are honed, we recommend sealing prior to use with a penetrating sealer
- Periodic cleaning and resealing of the stone top is recommended using products formulated for natural stone

### Materials & Construction

- Stone tops are fabricated from marble originating in Italy and Portugal

### Options

- Available in:
  - AS18967, Carrara Top
  - AS18968, Calacatta Top

### Dimensions

Width: 56"

Height: 1"

Depth: 23"

