



Features

- Dimmable LED LUM_™ task lighting with integrated touch control
- AiO cabinet can be paired with all M Series mirrored and decorative glass side kits
- Mirrored interior with 4 adjustable glass shelves
- Includes magnetic tool holder
- Includes Compact Adjustable Magnifying Mirror (CAMM)
- Includes installation hardware for recess mounting
- Can be recessed or surface mounted (surface mounting kit required)
- Includes two USB charging ports and two 120VAC outlet receptacles
- Interior Light
- Accessory track (Accessory Trays sold separately)
- Energy efficient LED lighting:

Kelvin	2700	4000
CRI	90+	90+
Lux**†	410	410
R9 Value*	50+	50+
Foot-candles**†	38	38

* Measured on a 24"W x 30"H model
 † Measured at 18" from center of the mirror

Construction

- Satin anodized aluminum body and door frame
- 3 mirror design - rear of cabinet and both sides of door
- Concealed finger pull-door edge
- Blum 170° self-closing hinges
- Safeseal[®] Gasket with sealed corners on cabinet body
- Adjustable shelving at 2" (51 mm) increments
- Single field wire into electrical shelf - Front access serviceability

Codes/Standards Applicable

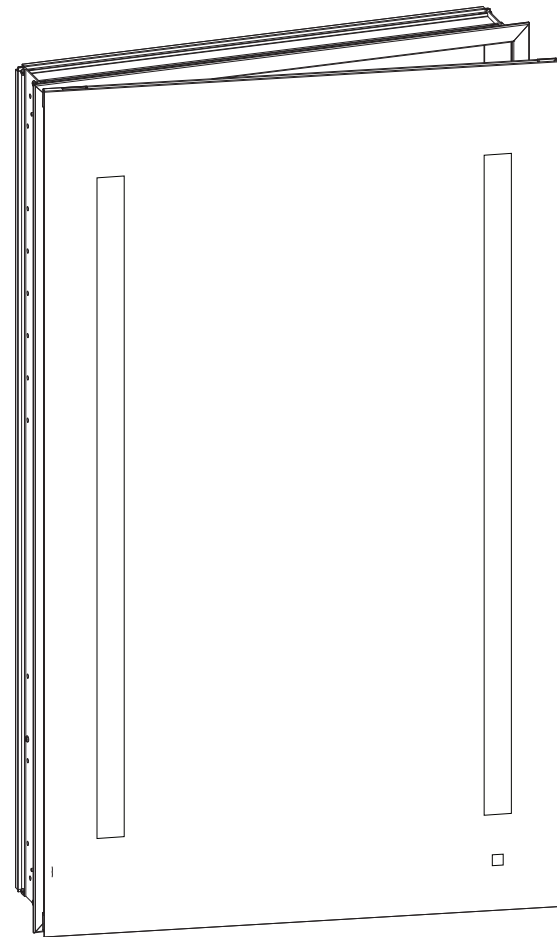
- Electric Option Models are ETL certified to:
- UL 962
 - CSA Standard C22.2 No. 68

Dimensions

Height: 39-3/8" (1000 mm)
 Width: 23-1/4" (591 mm)
 Depth: 4-5/8" (117 mm) When surface mounted
 7/8" (22 mm) When recessed

Options

- Left or Right hand hinged
- OM_™ Audio



Model Number Key

AiO Series	Cabinet	Width	Height	Depth	Door Style	Hinge Side	Options
A	C	24	40	D4	P1 = Single	L = Left R = Right	Blank = LUM Lighting, 4000 Kelvin A = LUM Lighting and OM Audio, 4000 Kelvin W = LUM Lighting, 2700 Kelvin AW = LUM Lighting and OM Audio, 2700 Kelvin

Installation Options

Recessed Mount - Rough Opening - 38-5/8" H x 22-1/2" W x 4" D (981 mm H x 572 mm W x 102 mm D)

Surface Mount - Reference Surface Mount Kit when ordering
MSMK40D4P - Mirror Kit
MSMK40D4## - Decorative Glass Kit*

*See Robern Price Book for a list of available finish options

Electrical System

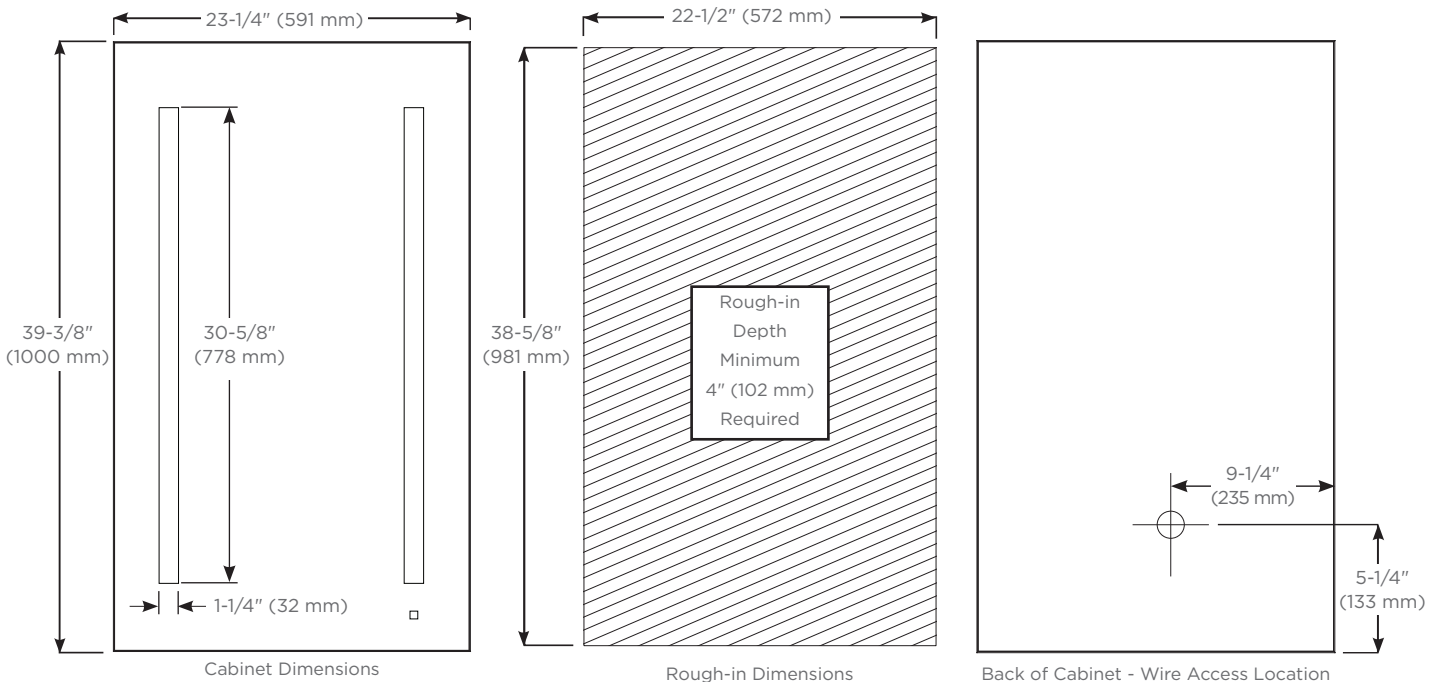
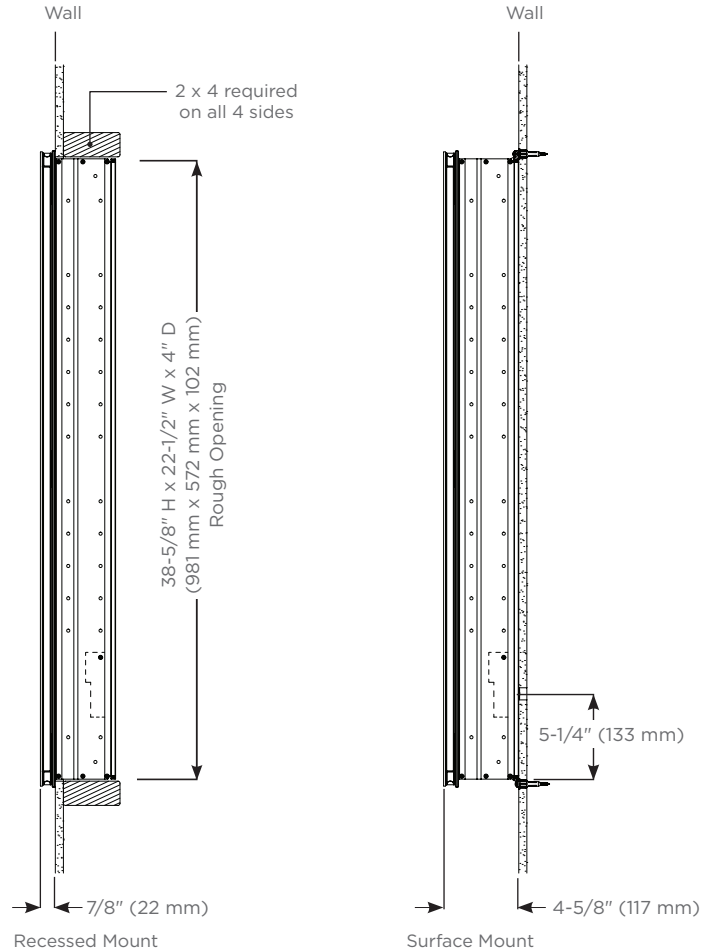
- 120 VAC 60HZ 20A
- Field wire location as shown in drawing
- 1/2" conduit (Ø 7/8" actual) electrical knockout location shown below
- Included field wire cable clamp

Optional Accessories

- Assorted glass bins:
 - Small (GLASSBIN3.25)
 - Medium (GLASSBIN5.25)
 - Large (GLASSBIN8.5)
- Entice™ Magnifying Mirror with dock - ENTICEDOCK
- Entice™ Magnifying Mirror without dock - ENTICE
- Handle Kits - MHANDLEKIT
- Pull-out Magnifying Mirror - POMM
- Push-to-open Kit - MPUSHKIT
- Safety Lock Box - SLB24D4
- Swing out Magnifying Mirror - SOMM

Robern Audio

- Vibrating Glass Technology - Resulting in a virtually hidden system
- Wide Dispersion - Almost 160 degrees from the door surface
- Bluetooth® Connection
- Range: Up To 30 feet / 9.1 meters (depending on interference)
- 2 Channel Stereo
- 20 Watts / Channel
- Supports most Android and iOS devices: smartphones, PCs, tablets, and other Bluetooth® enabled devices. Volume controlled by device.
- Audio amplifier with Bluetooth connectivity for wireless streaming of audio input
- Plays your music or audio preferences and selections from any Bluetooth enabled device.



Features

- Three different ways to access the lock box:
 - Physical keys that cannot be duplicated
 - Access code via digital keypad
 - Remote unlock using Robern IQ Digital Lock Box app (available on iOS and Android)
- Receive notifications in your app about all lock box events
- Integrated tamper detection alerts users of unauthorized access attempts
- Easy installation and setup
- Suitable for damp environments
- Door gasket seals contents from moisture and dust

Construction

- Anodized aluminum shelf
- Includes easy installation hardware
- Physical Entry Keys (set of two included)
- Requires four AA batteries (not included)

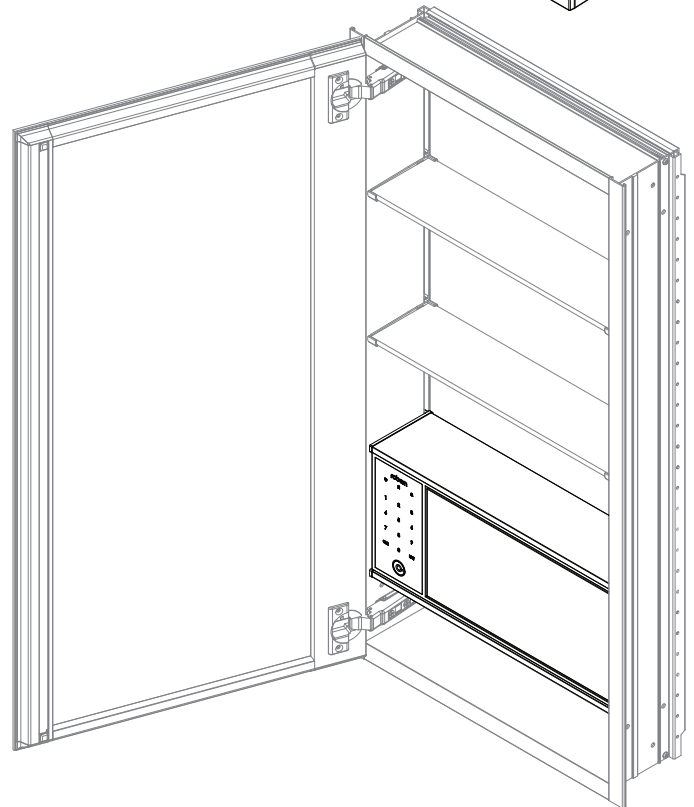
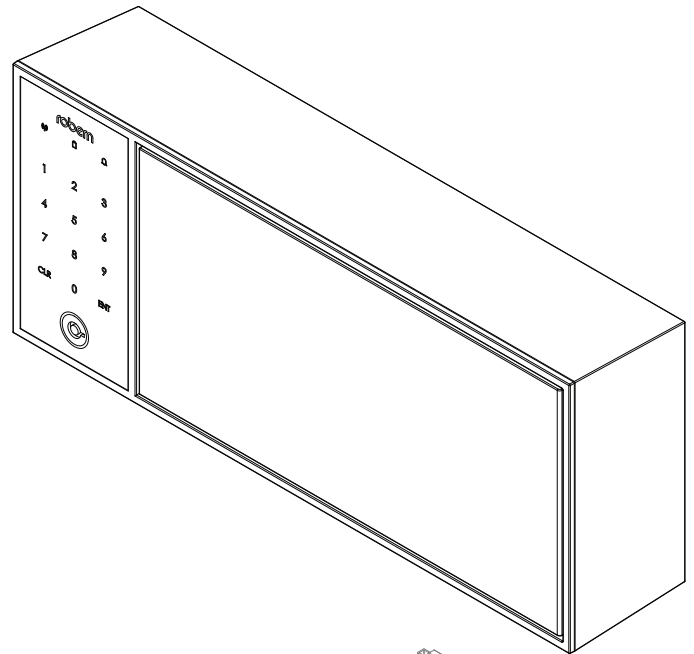
Dimensions

IQ DLB Height: 5-3/4" (144.7 mm)
 IQ DLB Width: 13-17/32" (344 mm)
 IQ DLB Depth: 2-15/16" (74.6 mm)

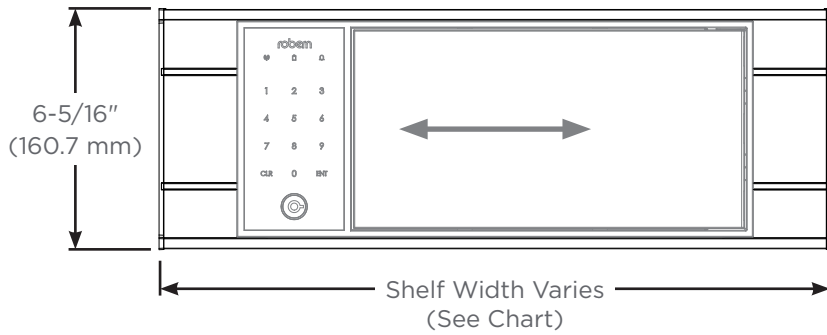
Storage Height: 5-1/4" (133.4 mm)
 Storage Width: 9" (228.6 mm)
 Storage Depth: 2-7/16" (62 mm)

Options

- Compatible cabinet lines by size:
 - DLB-16
 - M Series (MC16)
 - Portray (P2C16)*
 - Profiles (PC16)
 - PL Series (PL16)
 - DC Series (DC16)
 - DLB-20
 - M Series (MC20)
 - Portray (P2C20)*
 - Profiles (PC20)
 - PL Series (PL20)
 - DC Series (DC20)
 - DLB-24
 - M Series (MC24)
 - Portray (P2C24)*
 - Profiles (PC24)
 - AiO (AC24)
 - Vitality (YC24)
 - PL Series (PL24)
 - DC Series (DC24)
 - DLB-R20
 - R³ Series (RC20)*
 - DLB-R24
 - R³ Series (RC24)*
 - DLB-UPLIFT24
 - Uplift Tech (UC24)*
 - DLB-UPLIFT
 - Uplift Tech (UC30)*
 - Uplift Tech (UC36)*
 - Uplift Tech (UC48)*



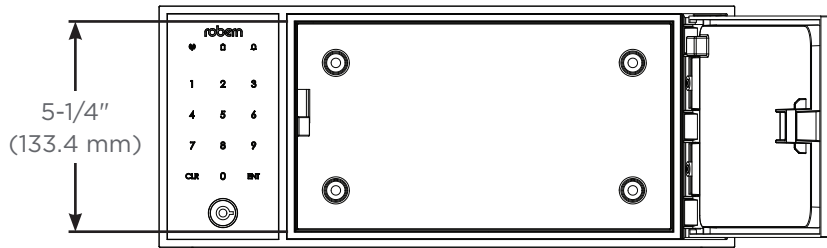
*Installation does not require access to exterior of cabinet. Lock box installation height can be adjusted in 1" (25.4mm) increments.



Front view

IQ Lock box Shelf Width	
DLB-16	13-5/8" (346mm)
DLB-20	17-5/8" (447.7mm)
DLB-24	21-5/8" (549.3mm)
DLB-R20	16-21/32" (422.7mm)
DLB-R24	20-21/32" (524.3mm)
DLB-UPLIFT24	21-3/4" (552.5mm)
DLB-UPLIFT	18" (457.2mm)

Side view



Top view

