

# KALLISTA®

Vir Stil® Minimal by Laura Kirar

Transfer trim

P80257-LV

## Features

- High-quality solid-brass construction for durability and reliability
- Allows for directed water flow
- Required rough-in sold separately

## Required Products/Accessories

P29513-00 Transfer Valve

or

P29514-00 Transfer Valve, Eco

## Adapters, Rough-in and Extension Kits

P29513-00

Range: 2-3/4" (70 mm) -  
3-7/8" (99 mm)

## Recommended Products/Accessories

P80249-LV Sink faucet, arch spout, lever handles

P80251-LV Deck-Mount Bath Faucet, Lever Handles

**ADA**

**CSA B651**

**OBC**

## Codes/Standards

ASME A112.18.1/CSA B125.1

ADA

ICC/ANSI A117.1

CSA B651

OBC

## KALLISTA® Five-Year Limited Warranty

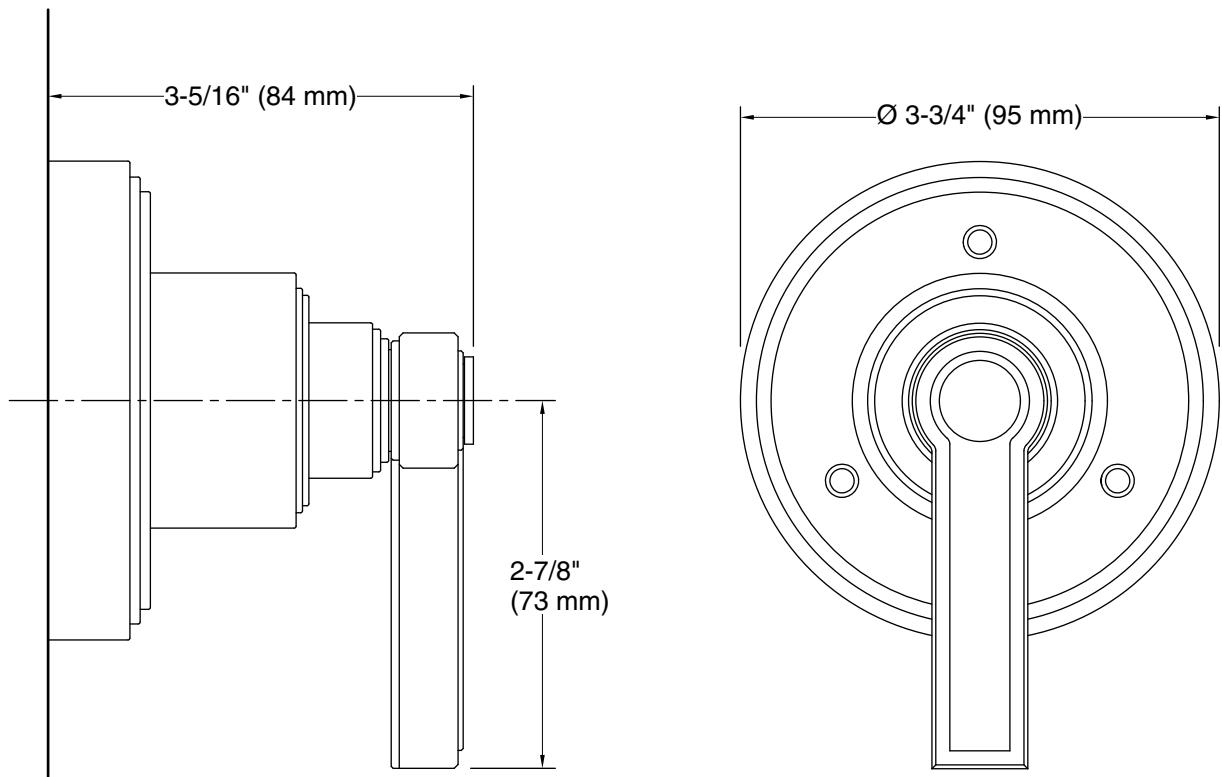
See website for detailed warranty  
information.

# KALLISTA®

## Vir Stil® Minimal by Laura Kirar

Transfer trim

P80257-LV



### Technical Information

All product dimensions are nominal.

Drain included: No

### Notes

Install this product according to the installation guide.

ADA, OBC, CSA B651 compliant when installed to the specific requirements of these regulations.