

# KALLISTA®

## Vir Stil® by Laura Kirar Wall-Mount Sink Faucet, Lever Handles P80235-LV

### Features

- High-quality solid-brass construction for durability and reliability
- Three-hole installation
- Required rough-in sold separately (P29304-00-NA)
- 1.2 gpm (4.5 lpm) maximum flow rate
- Spout reach is 6-3/8" (162 mm)
- Includes soft-touch drain

### Required Products/Accessories

P29304-00 Rough-In

### Adapters, Rough-in and Extension Kits

1006721 Range: 2-1/2" (64 mm) -  
3-1/2" (89 mm)

### Recommended Products/Accessories

P80244-00 Towel Bar, 24" (Qty 9)  
P80248-00 Toilet Paper Holder (Qty 9)



**ADA** **CSA B651** **OBC**

### Codes/Standards

ASME A112.18.1/CSA B125.1  
NSF/ANSI/CAN 61  
NSF/ANSI/CAN 372  
DOE - Energy Policy Act 1992  
EPA WaterSense®  
California Energy Commission (CEC)  
ADA  
ICC/ANSI A117.1  
CSA B651  
OBC  
IAPMO Certification

### KALLISTA® Five-Year Limited Warranty

See website for detailed warranty information.

### Available Colors/Finishes

*Color tiles intended for reference only.*

Color	Code	Description
	CP	Polished Chrome
	BN	Brushed Nickel
	SN	Polished Nickel
	BAF	Brushed French Gold

1-888-4-KALLISTA (1-888-452-5547)

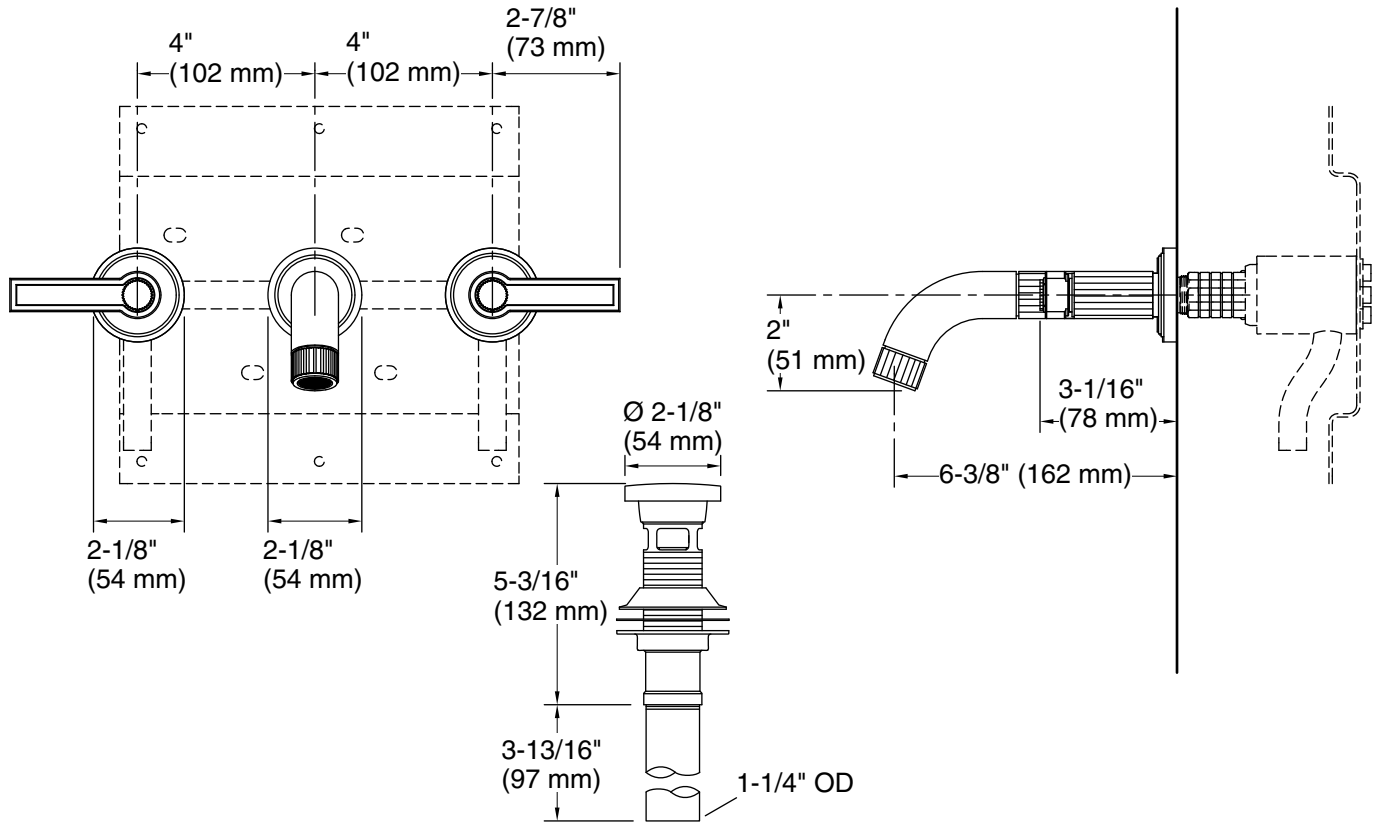
Kallista reserves the right to make revisions without notice to product specifications.

For the most current Specification Sheet, go to [www.kallista.com](http://www.kallista.com).

6-11-2024 20:57 - US

# KALLISTA

## Vir Stil® by Laura Kirar Wall-Mount Sink Faucet, Lever Handles P80235-LV



### Technical Information

All product dimensions are nominal.

#### Faucet:

Flow rate: 1.2 gal/min (4.5 l/min)

Pressure: 45 psi (3.1 bar)

Drain included: Yes

Drain with  
overflow: Yes

#### Spout:

Spout reach: 6-3/8" (162 mm)

### Notes

Install this product according to the installation guide.

ADA, OBC, CSA B651 compliant when installed to the specific requirements of these regulations.