

KALLISTA®

One™ by KALLISTA
Thermostatic trim, Armory handle
P40881-LV

Features

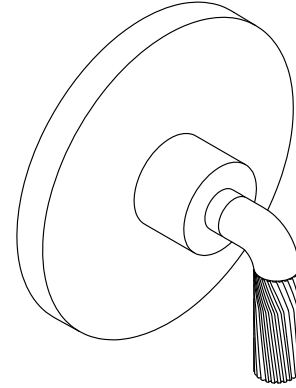
- Sleek contemporary design
- Solid metal construction for durability and reliability
- Precise temperature setting capability
- Required rough-in sold separately

Required Products/Accessories

P29511-WS 1/2" Thermostatic Mixing Valve

or

P29512-WS 3/4" Thermostatic Mixing Valve



ADA

CSA B651

OBC

Codes/Standards

ASME A112.18.1/CSA B125.1

ADA

ICC/ANSI A117.1

CSA B651

OBC

KALLISTA® Five-Year Limited Warranty

See website for detailed warranty
information.

Available Colors/Finishes

Color tiles intended for reference only.

Color Code Description



CP Polished Chrome



BL Matte Black



BAF Brushed French Gold



BN Vibrant® Brushed Nickel



SN Polished Nickel

1-888-4-KALLISTA (1-888-452-5547)

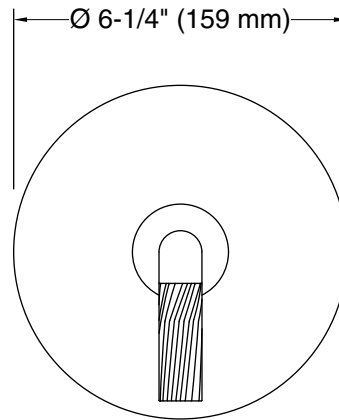
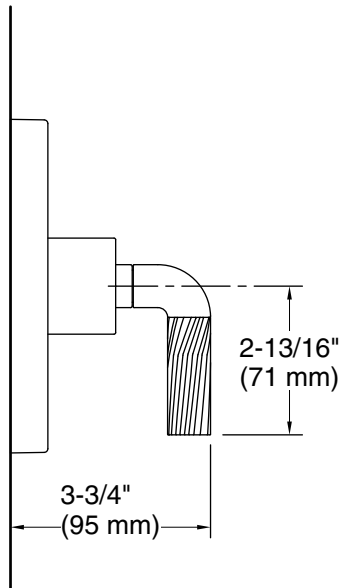
Kallista reserves the right to make revisions without notice to product specifications.

For the most current Specification Sheet, go to www.kallista.com.

12-23-2023 19:37 - US/CA/MX

KALLISTA

One™ by KALLISTA
Thermostatic trim, Armory handle
P40881-LV



Technical Information

All product dimensions are nominal.

Drain included: No

Notes

Install this product according to the installation instructions.

ADA, OBC, CSA B651 compliant when installed to the specific requirements of these regulations.