

# KALLISTA®

One™ by KALLISTA  
Sink faucet, low spout, Armory decorative  
handles  
P40875-BL

## Features

- Sleek contemporary design
- Solid metal construction for durability and reliability
- Widespread sink faucet for 8" – 16" (203 – 406 mm) centers
- Spout reach is 5-5/16" (135 mm)
- Laminar flow
- Includes soft-touch drain
- 1.2 gpm (4.5 lpm) maximum flow rate

## Recommended Products/Accessories

P74234-WO Under-mount Sink, Soft Rectangle with  
Overflow, Glazed  
P34401-00 Towel Bar, 24"  
P34407-00 Disc Hook



ADA

CSA B651

OBC

## Codes/Standards

ASME A112.18.1/CSA B125.1  
NSF/ANSI/CAN 61  
NSF/ANSI/CAN 372  
All applicable US Federal and State  
material regulations  
DOE - Energy Policy Act 1992  
EPA WaterSense®  
California Energy Commission (CEC)  
ADA  
ICC/ANSI A117.1  
CSA B651  
OBC

## KALLISTA® Five-Year Limited Warranty

See website for detailed warranty  
information.

## Available Colors/Finishes

*Color tiles intended for reference only.*

Color Code Description

 CP Polished Chrome

1-888-4-KALLISTA (1-888-452-5547)

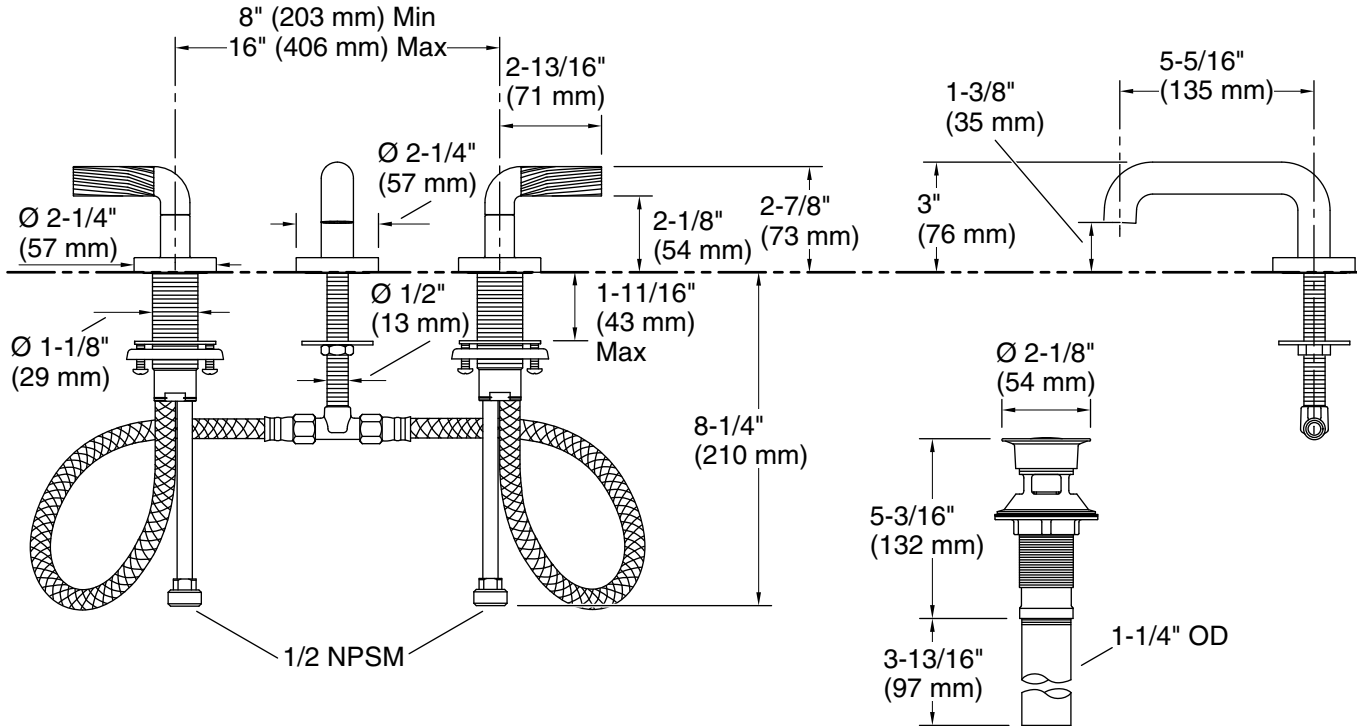
Kallista reserves the right to make revisions without notice to product specifications.

For the most current Specification Sheet, go to [www.kallista.com](http://www.kallista.com).

4-24-2024 19:45 - US

# KALLISTA

One™ by KALLISTA  
Sink faucet, low spout, Armory decorative  
handles  
P40875-BL



## Technical Information

All product dimensions are nominal.

### Faucet:

Flow rate: 1.2 gal/min (4.5 l/min)

Pressure: 60 psi (4.1 bar)

Drain included: Yes

Drain with  
overflow: Yes

### Spout:

Spout reach: 5-5/16" (135 mm)

## Notes

Install this product according to the installation instructions.

ADA, OBC, CSA B651 compliant when installed to the specific requirements of these regulations.

1-888-4-KALLISTA (1-888-452-5547)

Kallista reserves the right to make revisions without notice to product specifications.

For the most current Specification Sheet, go to [www.kallista.com](http://www.kallista.com).

4-24-2024 19:45 - US