

KALLISTA®

002™ by KALLISTA Deck-mount Diverter, Lever Handle P34155-LV

Features

- Enables water diversion from bath faucet to handshower
- Required rough-in sold separately

Adapters, Rough-in and Extension Kits

P20995-00 Range: 1/2" (13 mm) -
2-1/8" (54 mm)

Recommended Products/Accessories

P20995-00 Deck-Mount Diverter Valve
P34126-LV Deck-Mount Bath Faucet, Lever Handles
P50045-00 Large Rectangular Bathtub
P21930-00 Drain Trim Kit
P34129-00 Wall-Mount Bath Spout



ADA **CSA B651** **OBC**

Codes/Standards

ASME A112.18.1/CSA B125.1

ADA

ICC/ANSI A117.1

CSA B651

OBC




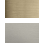

IAPMO Certification

KALLISTA® Five-Year Limited Warranty

See website for detailed warranty
information.

Available Colors/Finishes

Color tiles intended for reference only.

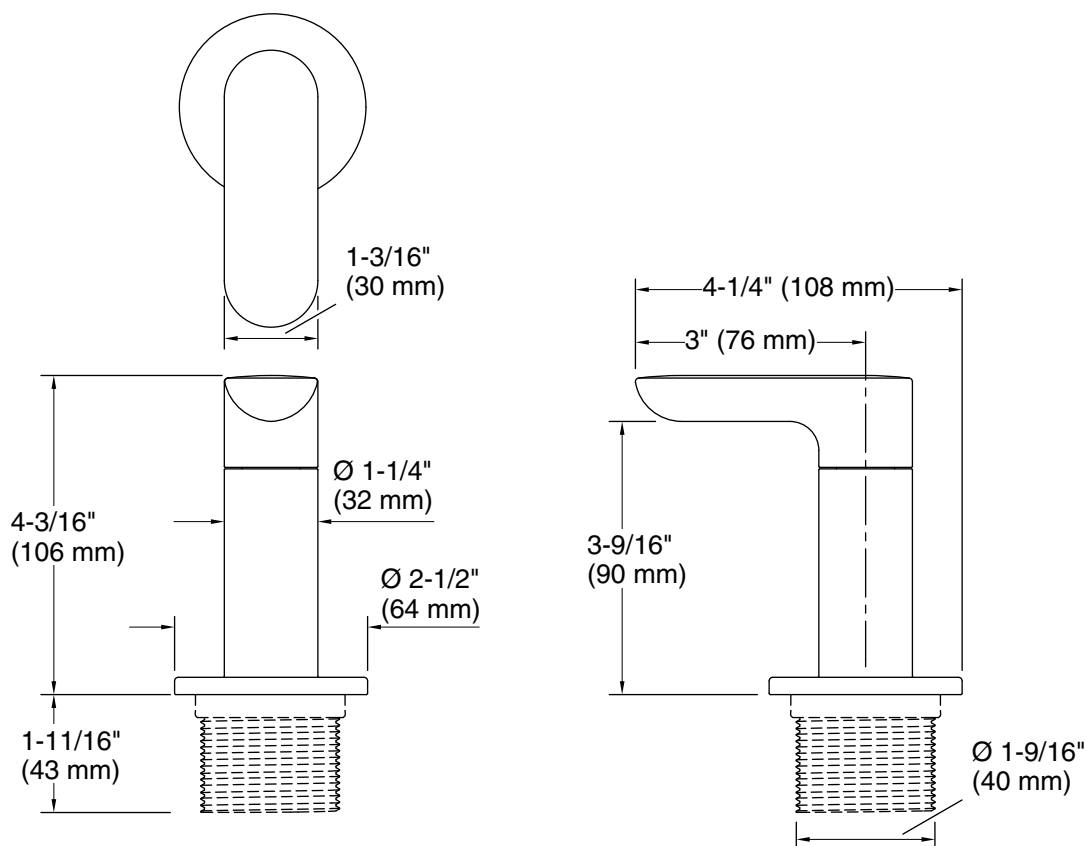
Color	Code	Description
	CP	Polished Chrome
	BL	Matte Black
	SN	Polished Nickel
	BAF	Brushed French Gold
	BN	Brushed Nickel

1-888-4-KALLISTA (1-888-452-5547)

Kallista reserves the right to make revisions without notice to product specifications.

For the most current Specification Sheet, go to www.kallista.com.

6-11-2024 21:04 - US



Technical Information

All product dimensions are nominal.

Drain included: No

Notes

Install this product according to the installation guide.

ADA, OBC, CSA B651 compliant when installed to the specific requirements of these regulations.