

Features

- High-quality solid metal construction for durability and reliability
- Offers a customizable shower experience
- Patented K-joint installation ensures consistent trim appearance
- Required rough-in sold separately

Required Products/Accessories

- P29527-00 1/2" Volume Control Rough-In Assembly
or
P29528-00 3/4" Volume Control Rough-In Assembly

Recommended Products/Accessories

- P34132-LV Thermostatic trim, lever handle
P34133-LV Transfer Trim, Lever Handle
P21513-00 Air-Induction Large Contemporary Rain Showerhead
P34135-00 Round Contemporary Showerhead with Arm



Codes/Standards


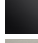



ASME A112.18.1/CSA B125.1
ADA
ICC/ANSI A117.1
CSA B651
OBC
IAPMO Certification

KALLISTA® Five-Year Limited Warranty

See website for detailed warranty information.

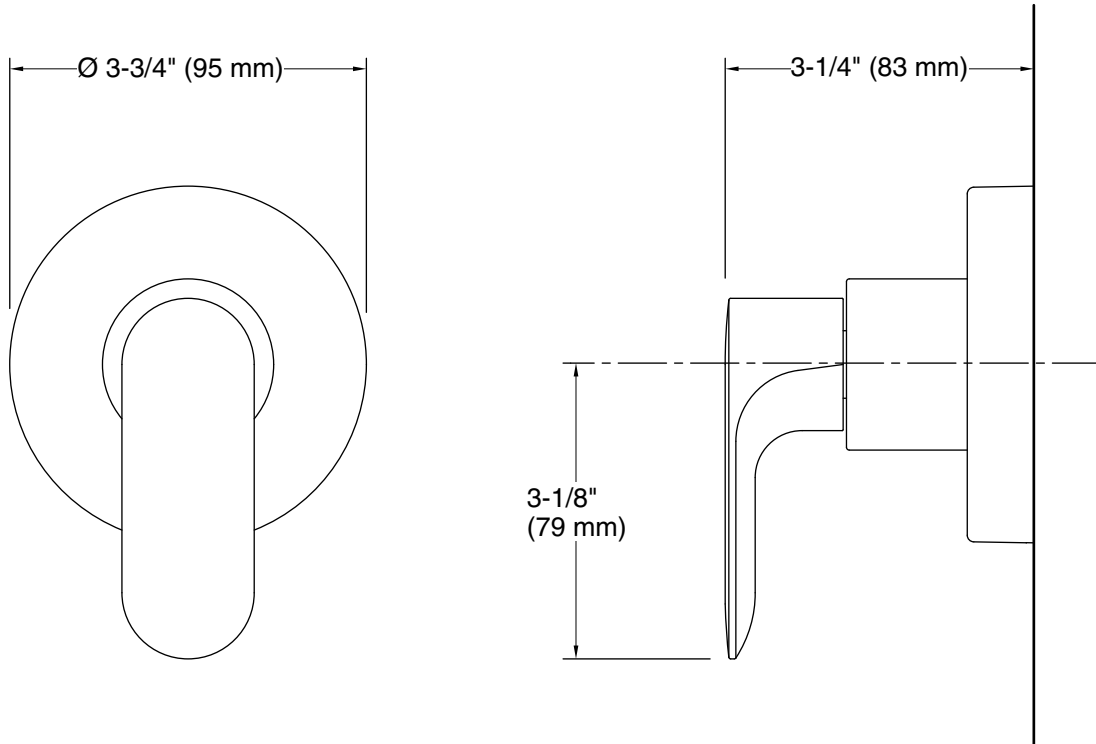
Available Colors/Finishes

Color tiles intended for reference only.

Color	Code	Description
	CP	Polished Chrome
	BL	Matte Black
	BN	Brushed Nickel
	SN	Polished Nickel
	BAF	Brushed French Gold

KALLISTA®

002™ by KALLISTA
Volume Control Trim, Lever Handle
P34134-LV



Technical Information

All product dimensions are nominal.

Notes

Install this product according to the installation guide.

ADA, OBC, CSA B651 compliant when installed to the specific requirements of these regulations.