

KALLISTA®

002™ by KALLISTA Wall-Mount Bath Spout P34129-00

Features

- High-quality metal construction for durability and reliability
- Spout reach is 9-1/4" (235 mm)

Adapters, Rough-in and Extension Kits

1356550 Range: 3-3/16" (80 mm) -
4-3/16" (106 mm)

Recommended Products/Accessories

P28814-00 Wall-Mount Bath Faucet Rough-In Assembly Valve
P34128-LV 002™ Bath Faucet Handles
P34136-00 Towel Bar, 18"
P34137-00 Towel Bar, 24"
P34138-00 Towel Ring
P34139-00 002™ Hook
P34141-00 Toilet Paper Holder



Codes/Standards






ASME A112.18.1/CSA B125.1
IAPMO Certification

KALLISTA® Five-Year Limited Warranty

See website for detailed warranty information.

Available Colors/Finishes

Color tiles intended for reference only.

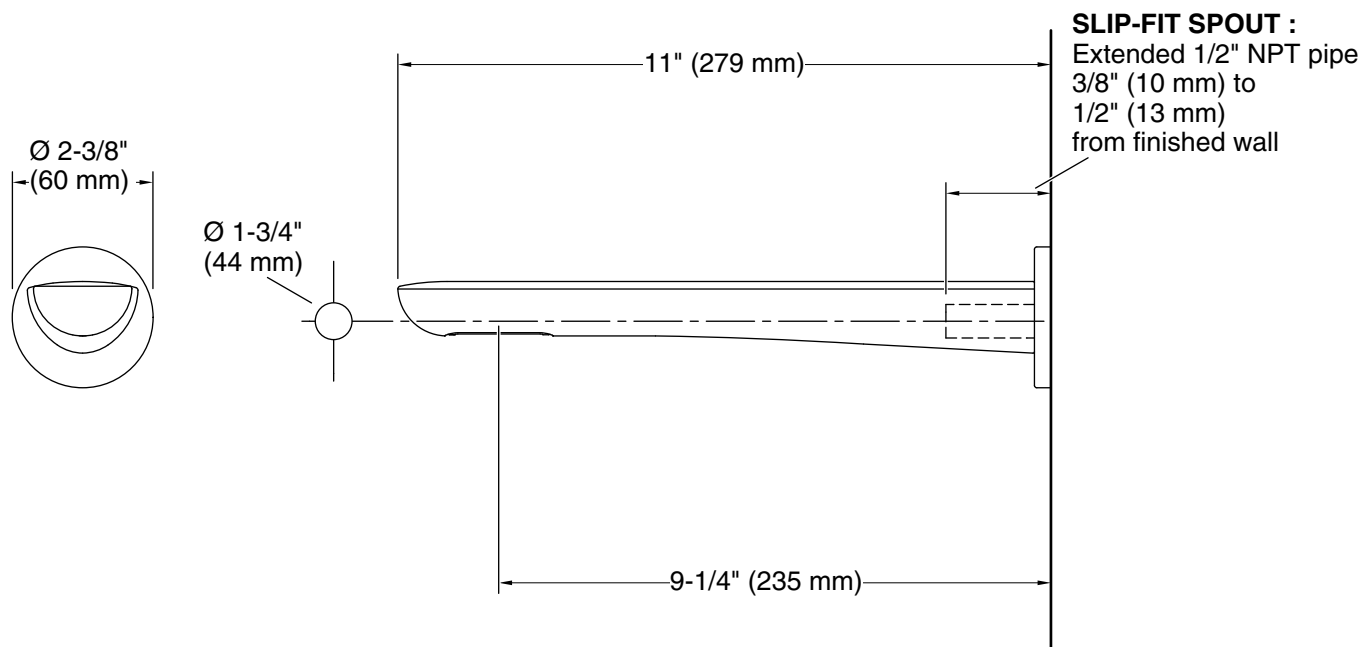
Color	Code	Description
	CP	Polished Chrome
	BL	Matte Black
	SN	Polished Nickel
	BN	Brushed Nickel
	BAF	Brushed French Gold

1-888-4-KALLISTA (1-888-452-5547)

Kallista reserves the right to make revisions without notice to product specifications.

For the most current Specification Sheet, go to www.kallista.com.

6-10-2024 19:38 - US



Technical Information

All product dimensions are nominal.

Faucet:

Flow rate: 7 gal/min (26.5 l/min)

Pressure: 60 psi (4.1 bar)

Drain included: No

Spout:

Spout reach: 9-1/4" (235 mm)

Notes

Install this product according to the installation guide.