

Features

- High-quality metal construction for durability and reliability
- Maintains water temperature within +/-3 degrees Fahrenheit
- Features a high-temperature-limit stop to help prevent scalding
- Required rough-in sold separately

Required Products/Accessories

P19310-00 Pressure Balance Rough-In

or

P19310-WS Pressure Balance Rough-In Valve With Stops

or

P29500-WS Thermostatic rough-in with volume control & stops

Recommended Products/Accessories

P32709-WC 002™ Transfer Trim, White Carrara

P34135-00 Round Contemporary Showerhead with Arm

P34137-00 Towel Bar, 24"

P24843-00 Wand Dual-Function Handshower with Hose

P21513-00 Air-Induction Large Contemporary Rain Showerhead



ADA

CSA B651

OBC

Codes/Standards

ASME A112.18.1/CSA B125.1

ADA

ICC/ANSI A117.1

CSA B651

OBC






IAPMO Certification

KALLISTA® Five-Year Limited Warranty

See website for detailed warranty information.

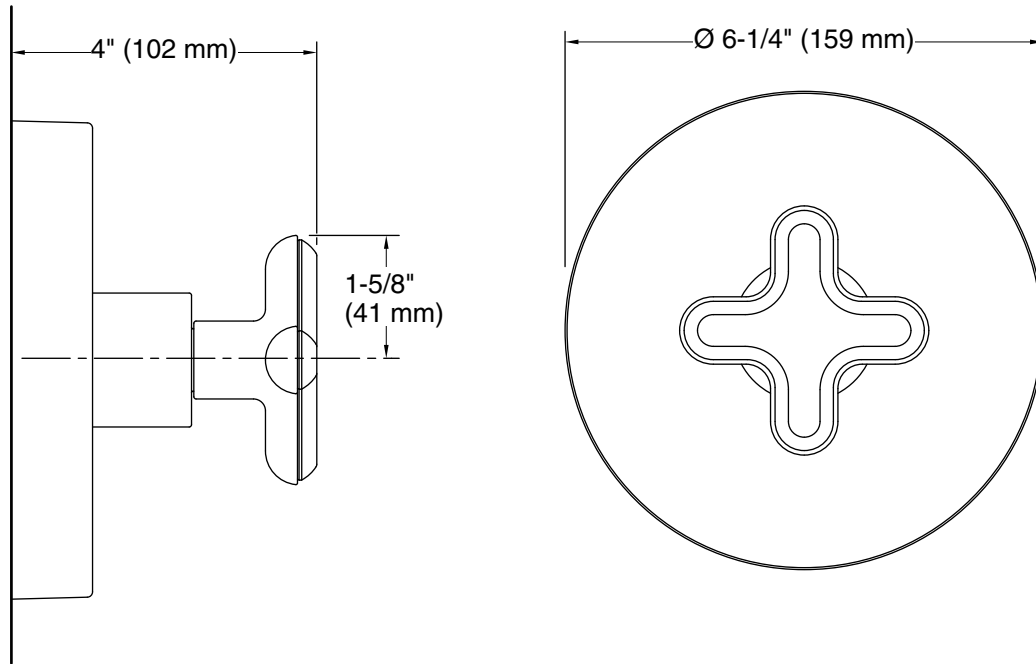
Available Colors/Finishes

Color tiles intended for reference only.

Color	Code	Description
	CP	Polished Chrome
	BL	Matte Black
	BAF	Brushed French Gold
	SN	Polished Nickel
	BN	Brushed Nickel

KALLISTA

002™ by KALLISTA
Single Control Trim, White Carrara Cross Handle
P32707-WC



Technical Information

All product dimensions are nominal.

Drain included: No

Notes

Install this product according to the installation guide.

ADA, OBC, CSA B651 compliant when installed to the specific requirements of these regulations.