

KALLISTA®

One™ by KALLISTA Freestanding Bath Faucet, FP5 Handle, Less Handshower P32420-00

Features

- Solid metal construction for durability and reliability
- Floor-mount, single hole installation
- Required mounting block sold separately (P20511-00-NA)
- Required handshower sold separately
- Spout reach is 11-7/8" (302 mm)
- Includes integral valve
- Includes hardware kit and escutcheon

Required Products/Accessories

P21660-00 Handshower With Hose

or

P24843-00 Wand Dual-Function Handshower with Hose

or

P20511-00

Adapters, Rough-in and Extension Kits

P20511-00

Range: 2-3/16" (56 mm) -
3" (76 mm)

Recommended Products/Accessories

P50204-00 Freestanding Bathtub

P30801-00 4" cabinet pull

P34407-00 Disc Hook

P24492-LV Sink Faucet, Tall Spout, Lever Handles



Codes/Standards



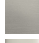


ASME A112.18.1/CSA B125.1

KALLISTA® Five-Year Limited Warranty

See website for detailed warranty
information.

Available Colors/Finishes

Color tiles intended for reference only.

Color	Code	Description
	CP	Polished Chrome
	BL	Matte Black
	BN	Brushed Nickel
	SN	Polished Nickel
	BAF	Brushed French Gold

1-888-4-KALLISTA (1-888-452-5547)

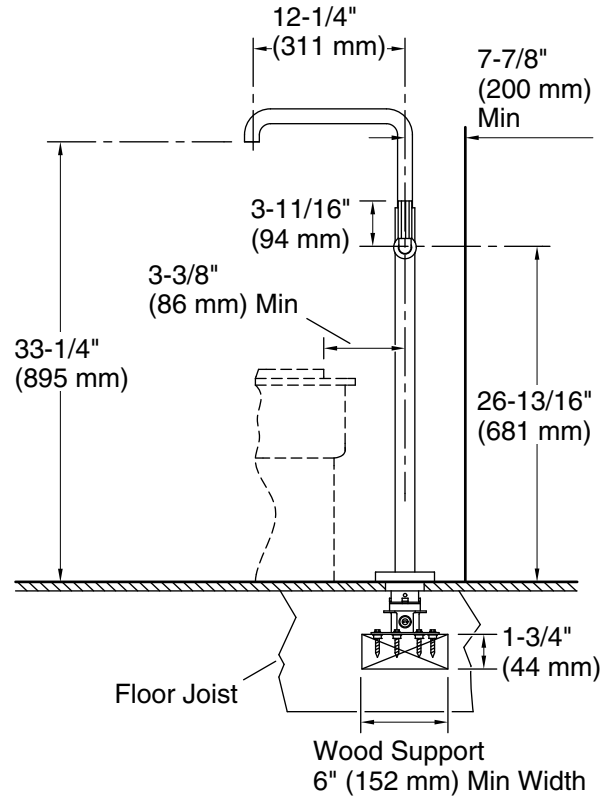
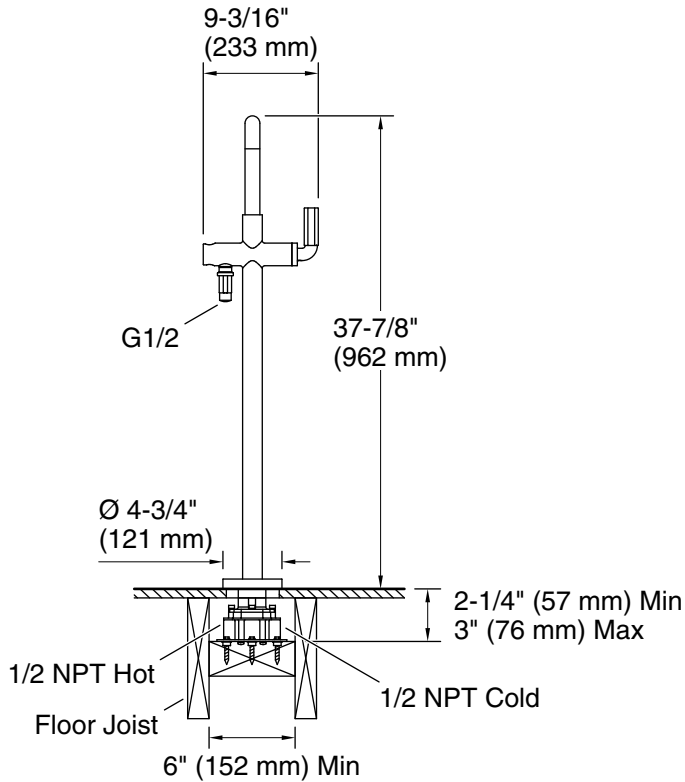
Kallista reserves the right to make revisions without notice to product specifications.

For the most current Specification Sheet, go to www.kallista.com.

6-11-2024 19:50 - US

KALLISTA

One™ by KALLISTA
Freestanding Bath Faucet, FP5 Handle, Less
Handshower
P32420-00



Technical Information

All product dimensions are nominal.

Faucet:

Flow rate: 8 gal/min (30.3 l/min)

Pressure: 45 psi (3.1 bar)

Drain included: No

Spout:

Spout reach: 12-5/16" (312 mm)

Notes

Install this product according to the installation instructions.