

KALLISTA®

One™ by KALLISTA
Single control trim, FP5 handle
P32417-PNK

Features

- Solid metal construction for durability and reliability
- Maintains water temperature within +/-3 degrees Fahrenheit
- Features a high-temperature-limit stop to help prevent scalding
- Required rough-in sold separately

Required Products/Accessories

P19310-00 Pressure Balance Rough-In

or

P19310-WS Pressure Balance Rough-In Valve With Stops

or

P29306-WS High Flow Pressure Balance Rough-In Assembly

or

P29500-WS Thermostatic rough-in with volume control & stops



ADA

CSA B651

OBC

Codes/Standards

ASME A112.18.1/CSA B125.1

ADA

ICC/ANSI A117.1

CSA B651

OBC

IAPMO Certification

KALLISTA® Five-Year Limited Warranty

See website for detailed warranty information.

Available Colors/Finishes

Color tiles intended for reference only.

Color Code Description

	SN	Polished Nickel
---	----	-----------------

1-888-4-KALLISTA (1-888-452-5547)

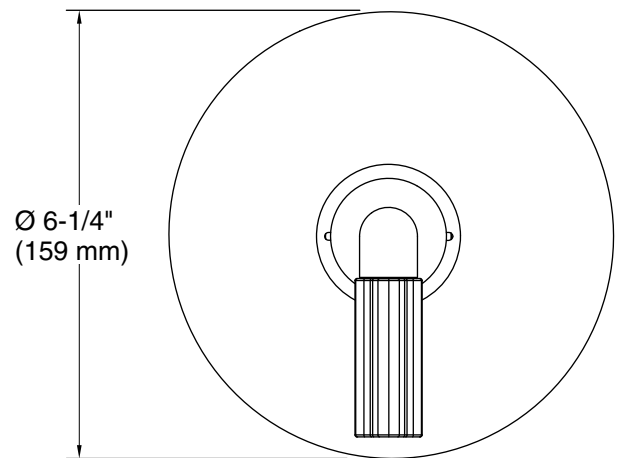
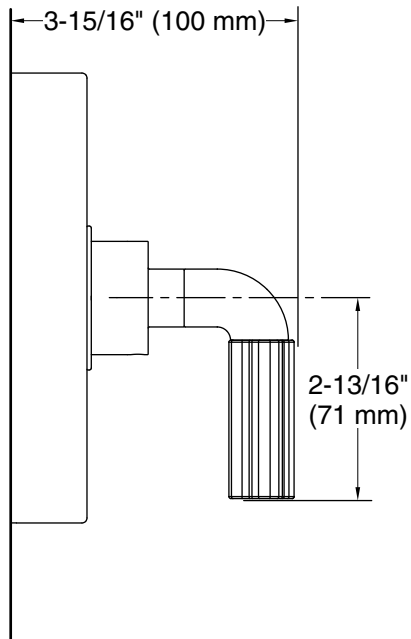
Kallista reserves the right to make revisions without notice to product specifications.

For the most current Specification Sheet, go to www.kallista.com.

4-24-2024 20:48 - US

KALLISTA®

One™ by KALLISTA
Single control trim, FP5 handle
P32417-PNK



Technical Information

All product dimensions are nominal.

Drain included: No

Notes

Install this product according to the installation instructions.

ADA, OBC, CSA B651 compliant when installed to the specific requirements of these regulations.