

KALLISTA®

One™ by KALLISTA
Volume control trim, FP5 handle
P32416-PNK

Features

- Solid metal construction for durability and reliability
- Offers a customizable shower experience
- Required rough-in sold separately

Required Products/Accessories

- P29527-00 1/2" Volume Control Rough-In Assembly
or
P29528-00 3/4" Volume Control Rough-In Assembly



ADA

CSA B651

OBC

Codes/Standards

ASME A112.18.1/CSA B125.1

ADA

ICC/ANSI A117.1

CSA B651

OBC

IAPMO Certification

KALLISTA® Five-Year Limited Warranty

See website for detailed warranty
information.

Available Colors/Finishes

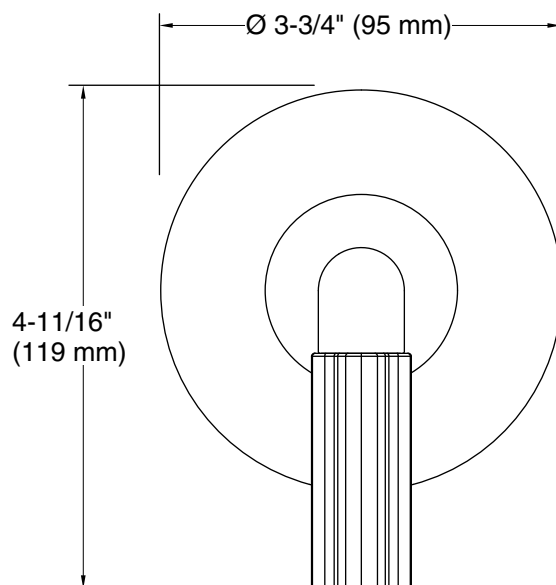
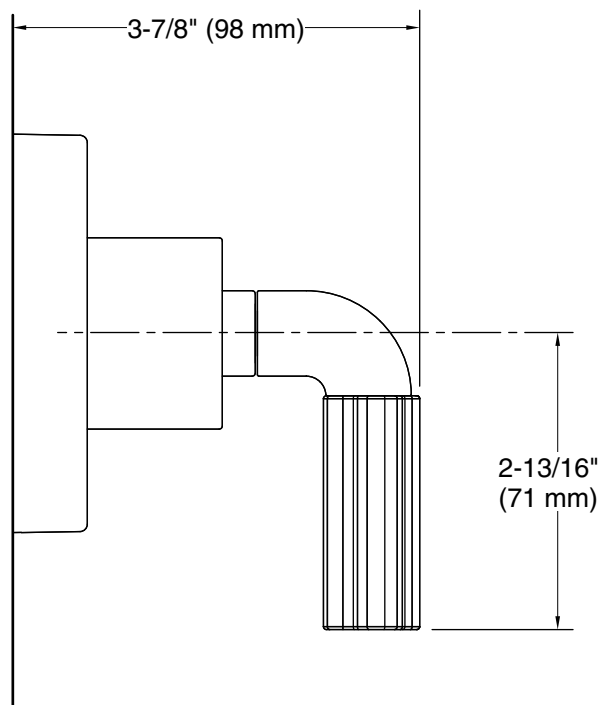
Color tiles intended for reference only.

| Color | Code | Description |
|-------|------|-------------|
|-------|------|-------------|

| | | |
|---|----|-----------------|
|  | SN | Polished Nickel |
|---|----|-----------------|

KALLISTA®

One™ by KALLISTA
Volume control trim, FP5 handle
P32416-PNK



Technical Information

All product dimensions are nominal.

Drain included: No

Notes

Install this product according to the installation instructions.

ADA, OBC, CSA B651 compliant when installed to the specific requirements of these regulations.