

# KALLISTA®

One™ by KALLISTA  
Transfer trim, FP5 handle  
P32415-BLE

## Features

- Solid metal construction for durability and reliability
- Allows for directed water flow
- Required rough-in sold separately

## Optional Products/Accessories



**ADA**

**CSA B651**

**OBC**

## Codes/Standards

ASME A112.18.1/CSA B125.1

ADA

ICC/ANSI A117.1

CSA B651

OBC

IAPMO Certification

## KALLISTA® Five-Year Limited Warranty

See website for detailed warranty  
information.

## Available Colors/Finishes

*Color tiles intended for reference only.*

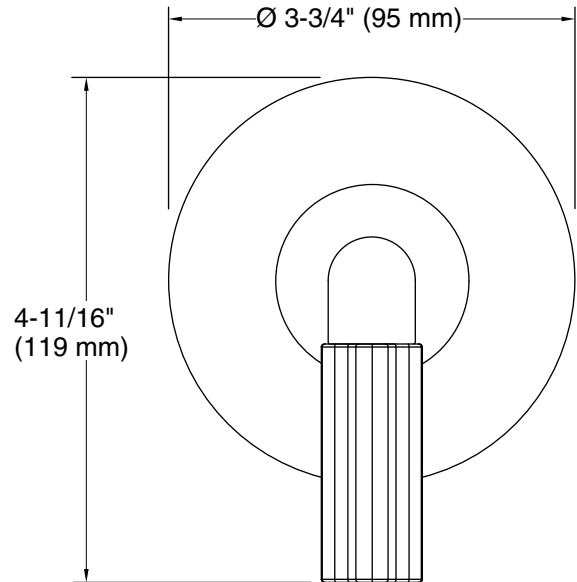
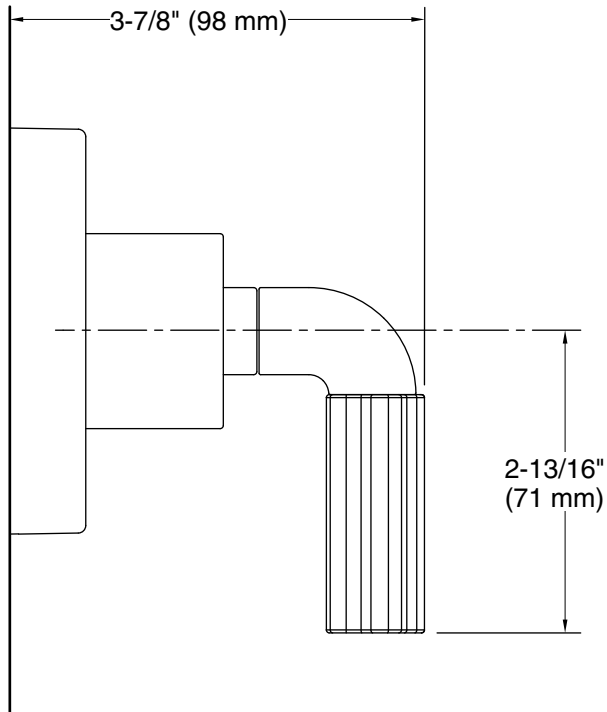
Color	Code	Description
-------	------	-------------



CP	Polished Chrome
----	-----------------

# KALLISTA

One™ by KALLISTA  
Transfer trim, FP5 handle  
P32415-BLE



## Technical Information

All product dimensions are nominal.

Drain included: No

## Notes

Install this product according to the installation instructions.

ADA, OBC, CSA B651 compliant when installed to the specific requirements of these regulations.