

Features

- High-quality solid-brass construction for durability and reliability
- Wall-mount installation
- 22" (559 mm) reach capability

Recommended Products/Accessories

- P25001-00 Deck-Mount Bridge Faucet, Lever Handles
- P25000-00 Pull-Down Kitchen Faucet
- L20311-00 24" Butler Sink
- P30801-00 4" cabinet pull



Codes/Standards





- ASME A112.18.1/CSA B125.1
- NSF/ANSI/CAN 61
- NSF/ANSI/CAN 372
- All applicable US Federal and State material regulations
- IAPMO Certification

KALLISTA® Five-Year Limited Warranty

See website for detailed warranty information.

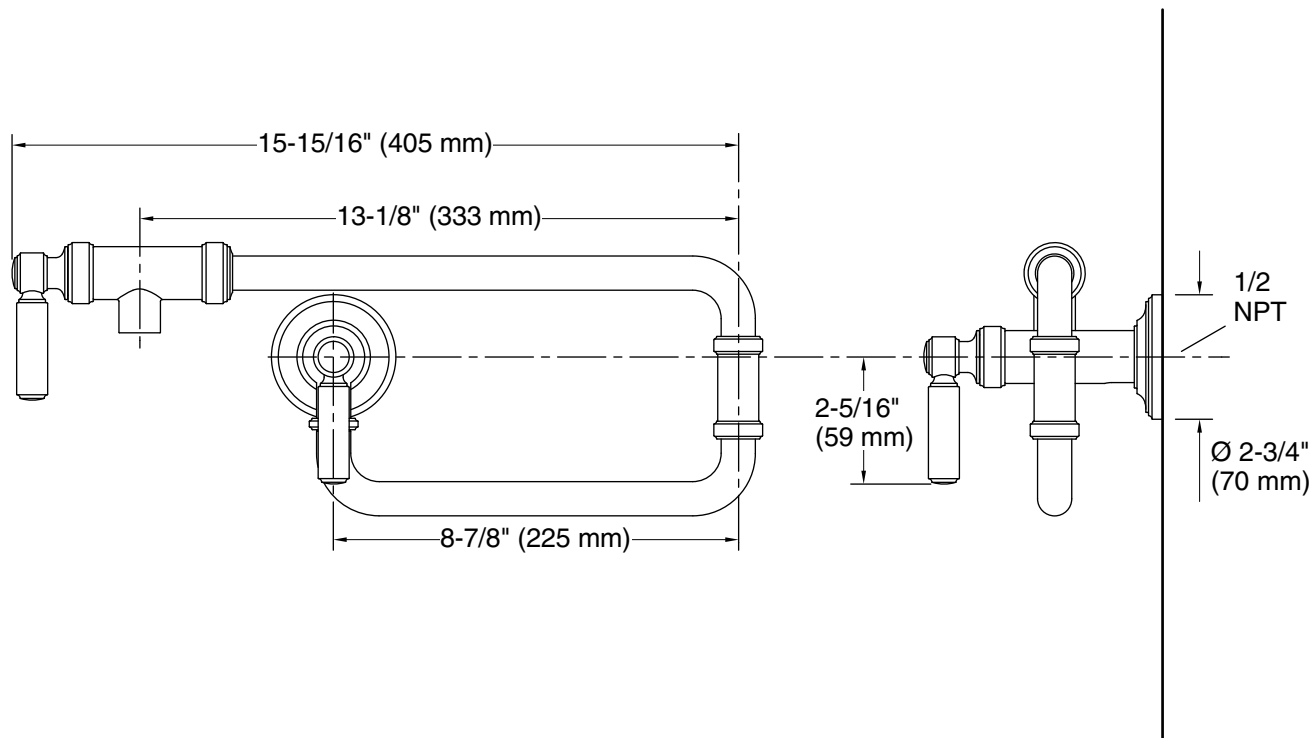
Available Colors/Finishes

Color tiles intended for reference only.

Color	Code	Description
	AD	Nickel Silver
	CP	Polished Chrome
	AG	Brushed Nickel
	ULB	Unlacquered Brass

KALLISTA

Foundations by KALLISTA
Traditional wall-mount kitchen pot filler
P31570-00



Technical Information

All product dimensions are nominal.

Faucet:

Flow rate: 2.6 gal/min (9.8 l/min)

Pressure: 60 psi (4.1 bar)

Drain included: No

Notes

Install this product according to the installation instructions.