

# KALLISTA®

## One™ by KALLISTA Wall-mount single-control sink faucet P26613-00

### Features

- High-quality solid-brass construction for durability and reliability
- Spout reach is 9-5/16" (237 mm)
- Includes soft-touch drain
- Wall-mount installation
- 1.2 gpm (4.5 lpm) maximum flow rate
- Valve sold separately
- Unlacquered Brass (ULB) available in North America and the United Kingdom only



### Recommended Products/Accessories

- P74234-WO Under-mount Sink, Soft Rectangle with Overflow, Glazed
- P34401-00 Towel Bar, 24"
- P34407-00 Disc Hook



**ADA** **CSA B651** **OBC**

### Codes/Standards

- ASME A112.18.1/CSA B125.1
- NSF/ANSI/CAN 61
- NSF/ANSI/CAN 372
- All applicable US Federal and State material regulations
- DOE - Energy Policy Act 1992
- EPA WaterSense®
- California Energy Commission (CEC)
- ADA
- ICC/ANSI A117.1
- CSA B651
- OBC

### KALLISTA® Five-Year Limited Warranty

See website for detailed warranty information.

### Available Colors/Finishes

*Color tiles intended for reference only.*

Color	Code	Description
	CP	Polished Chrome
	BL	Matte Black
	ULB	Unlacquered Brass
	BN	Brushed Nickel
	SN	Polished Nickel

1-888-4-KALLISTA (1-888-452-5547)

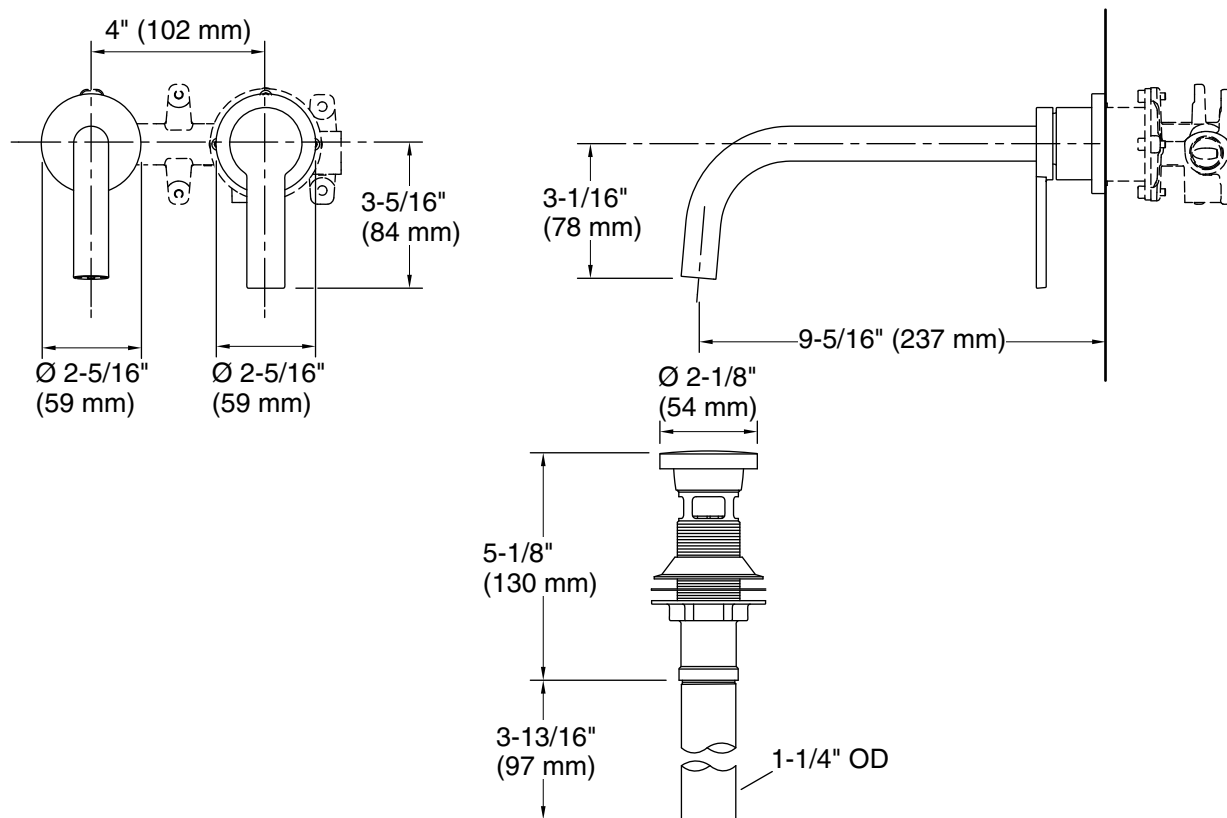
Kallista reserves the right to make revisions without notice to product specifications.

For the most current Specification Sheet, go to [www.kallista.com](http://www.kallista.com).

6-10-2024 19:39 - US

# KALLISTA

One™ by KALLISTA  
Wall-mount single-control sink faucet  
P26613-00



## Technical Information

All product dimensions are nominal.

### Faucet:

Flow rate: 1.2 gal/min (4.5 l/min)

Pressure: 60 psi (4.1 bar)

Drain included: Yes

Drain with  
overflow: Yes

### Spout:

Spout reach: 9-5/16" (236 mm)

## Notes

Install this product according to the installation instructions.

ADA, OBC, CSA B651 compliant when installed to the specific requirements of these regulations.