

KALLISTA®

KALLISTA ADA handshower hose adapter P26274-00

Features

- Easily threads between handshower and hose, allowing water flow to pause via push-button functionality
- ADA-compliant nonpositive shutoff

Material

- Brass construction ensures durability and reliability

Installation

- G 1/2 inlet and outlet



ADA **CSA B651** **OBC**

Codes/Standards

ADA
ICC/ANSI A117.1
CSA B651
OBC

KALLISTA® Five-Year Limited Warranty

See website for detailed warranty information.

Available Colors/Finishes *Color tiles intended for reference only.*

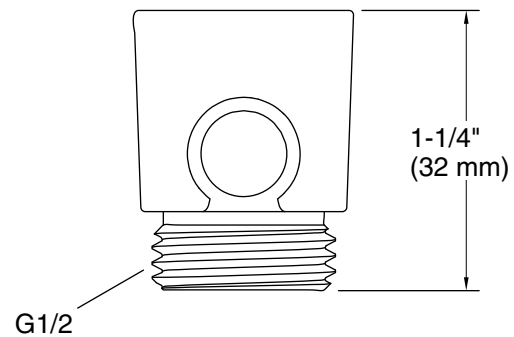
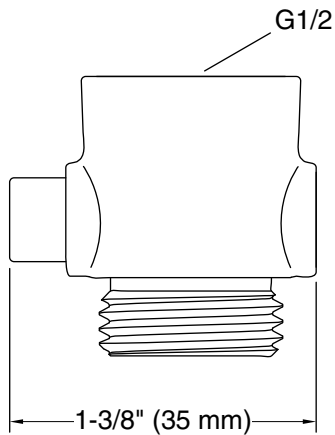
Color	Code	Description
	AD	Nickel Silver
	CP	Polished Chrome
	BL	Matte Black
	ULB	Unlacquered Brass
	SN	Polished Nickel
	BV	Brushed Bronze
	BN	Brushed Nickel
	BAF	Brushed French Gold
	AF	French Gold
	BGP	
	PGP	

1-888-4-KALLISTA (1-888-452-5547)

Kallista reserves the right to make revisions without notice to product specifications.

For the most current Specification Sheet, go to www.kallista.com.

6-11-2024 19:48 - US



Technical Information

All product dimensions are nominal.

Notes

Install this product according to the installation instructions.

ADA, OBC, CSA B651 compliant when installed to the specific requirements of these regulations.