

KALLISTA®

One™ by KALLISTA
Deck-mount bath faucet, gooseneck spout/cross
handles
P25520-CR

Features

- High-quality solid-brass construction for durability and reliability
- Spout reach is 7-3/4" (197 mm)
- Required rough-in sold separately
- Diverter, handshower, and handshower trim sold separately

Adapters, Rough-in and Extension Kits

P19303-00 Range: 1/2" (13 mm) -
2-1/8" (54 mm)

Recommended Products/Accessories

P50045-00 Large Rectangular Bathtub
P24843-00 Wand Dual-Function Handshower with Hose
P21930-00 Drain Trim Kit
P34401-00 Towel Bar, 24"



ADA

CSA B651

OBC

Codes/Standards

ASME A112.18.1/CSA B125.1

ADA

ICC/ANSI A117.1

CSA B651

OBC


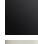

IAPMO Certification

KALLISTA® Five-Year Limited Warranty

See website for detailed warranty
information.

Available Colors/Finishes

Color tiles intended for reference only.

Color	Code	Description
	CP	Polished Chrome
	BL	Matte Black
	SN	Polished Nickel

1-888-4-KALLISTA (1-888-452-5547)

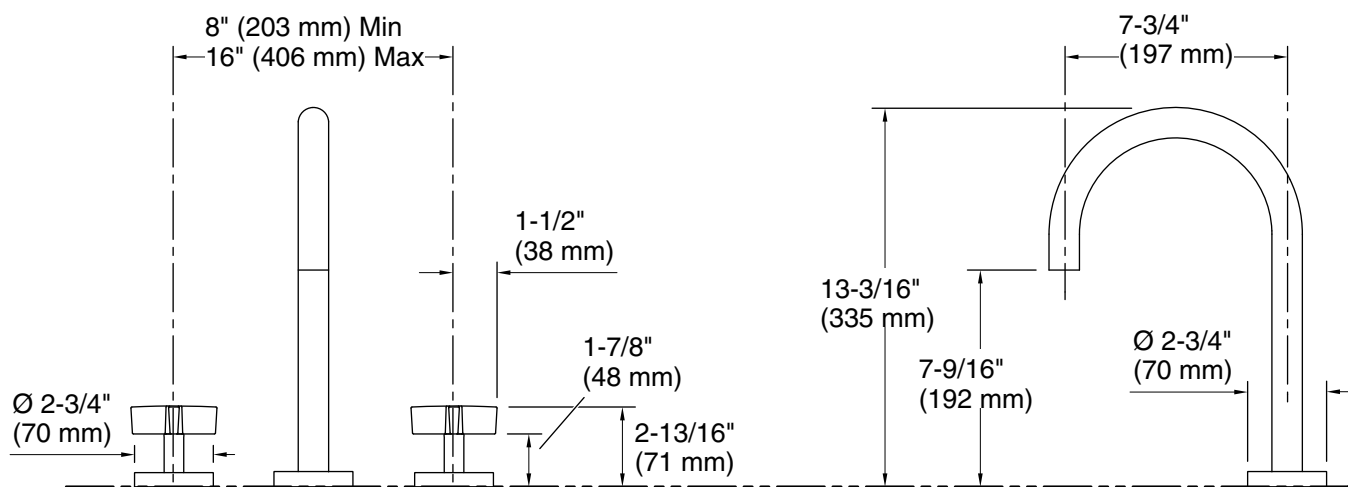
Kallista reserves the right to make revisions without notice to product specifications.

For the most current Specification Sheet, go to www.kallista.com.

2-25-2024 20:14 - US

KALLISTA

One™ by KALLISTA
Deck-mount bath faucet, gooseneck spout/cross
handles
P25520-CR



Technical Information

All product dimensions are nominal.

Faucet:

Flow rate: 8 gal/min (30.3 l/min)

Pressure: 60 psi (4.1 bar)

Drain included: No

Spout:

Spout reach: 7-3/4" (197 mm)

Notes

ADA, OBC, CSA B651 compliant when installed to the specific requirements of these regulations.

1-888-4-KALLISTA (1-888-452-5547)

Kallista reserves the right to make revisions without notice to product specifications.

For the most current Specification Sheet, go to www.kallista.com.

2-25-2024 20:14 - US