

Features

- High-quality solid metal construction for durability and reliability
- Required rough-in sold separately
- Precise temperature setting capability
- Patented K-joint installation ensures consistent trim appearance

Required Products/Accessories

P29511-WS 1/2" Thermostatic Mixing Valve

or

P29512-WS 3/4" Thermostatic Mixing Valve

or

P25023-CR Script Volume Control Trim, Cross Handle

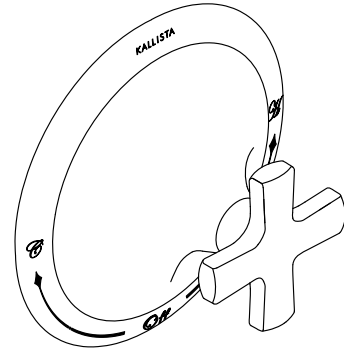
Recommended Products/Accessories

P25018-LV Script Pressure Balance Trim, Lever Handle

P25024-CR Transfer Trim, Cross Handle

P25040-00 Showerhead with Arm

P25041-00 Towel Bar, 24"



ADA

CSA B651

OBC

Codes/Standards

ASME A112.18.1/CSA B125.1

ADA

ICC/ANSI A117.1

CSA B651

OBC

IAPMO Certification



KALLISTA® Five-Year Limited Warranty

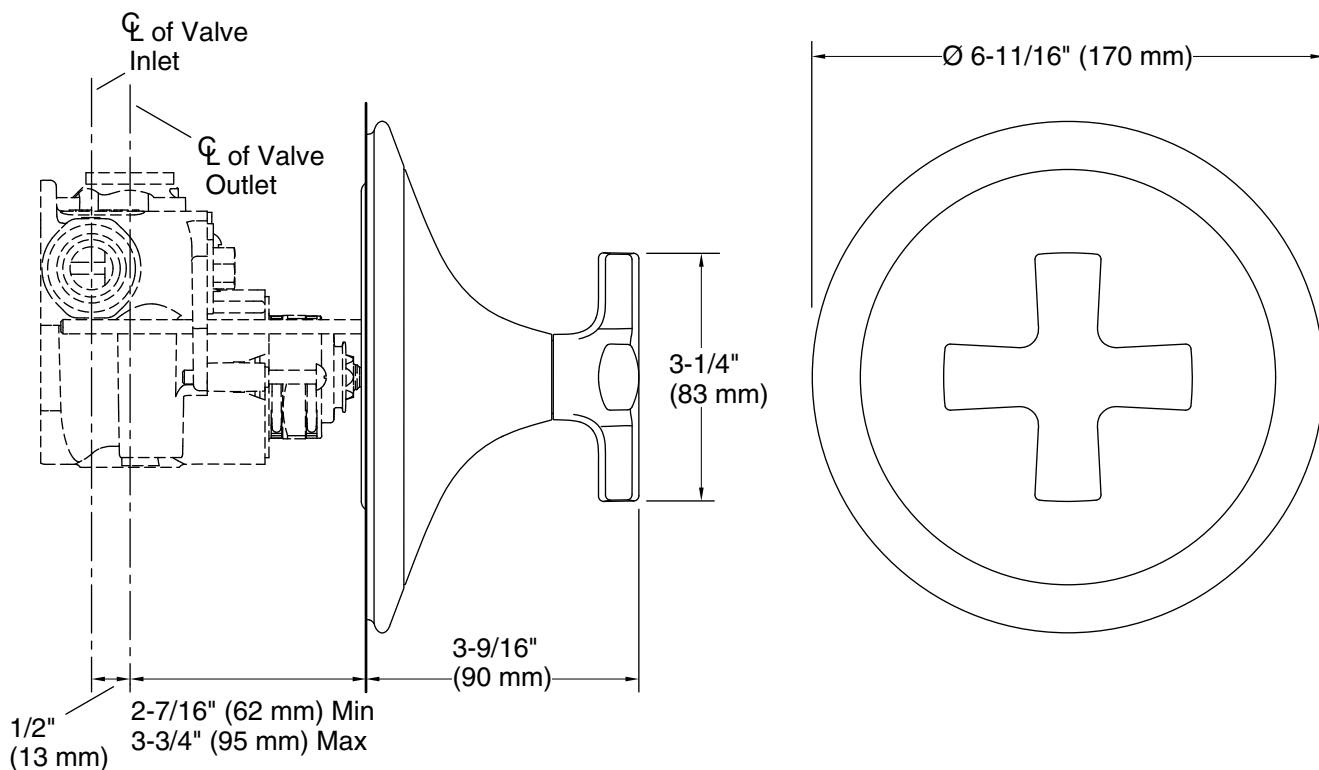
See website for detailed warranty information.

Available Colors/Finishes

Color tiles intended for reference only.

Color Code Description

	CP	Polished Chrome
	BV	Vibrant® Brushed Bronze
	SN	Polished Nickel
	BAF	Brushed French Gold
	BN	Vibrant® Brushed Nickel



Technical Information

All product dimensions are nominal.

Drain included: No

Notes

Install this product according to the installation instructions.

ADA, OBC, CSA B651 compliant when installed to the specific requirements of these regulations.