

KALLISTA®

Pure Paletta® by Laura Kirar Volume Control Trim, Lever Handle P24926-LV

Features

- High-quality solid brass construction for durability and reliability
- Required rough-in sold separately
- Offers a customizable shower experience
- ADA compliant

Required Products/Accessories

P29527-00

or

P29528-00

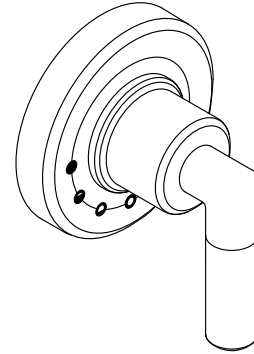
Recommended Products/Accessories

P24925-LV Thermostatic Trim, Lever Handle

P24927-LV

P24941-00 Towel Bar, 24"

P21676-00



ADA

CSA B651

OBC

Codes/Standards

ASME A112.18.1/CSA B125.1

ADA

ICC/ANSI A117.1

CSA B651

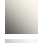

OBC

KALLISTA® Five-Year Limited Warranty

See website for detailed warranty
information.

Available Colors/Finishes

Color tiles intended for reference only.

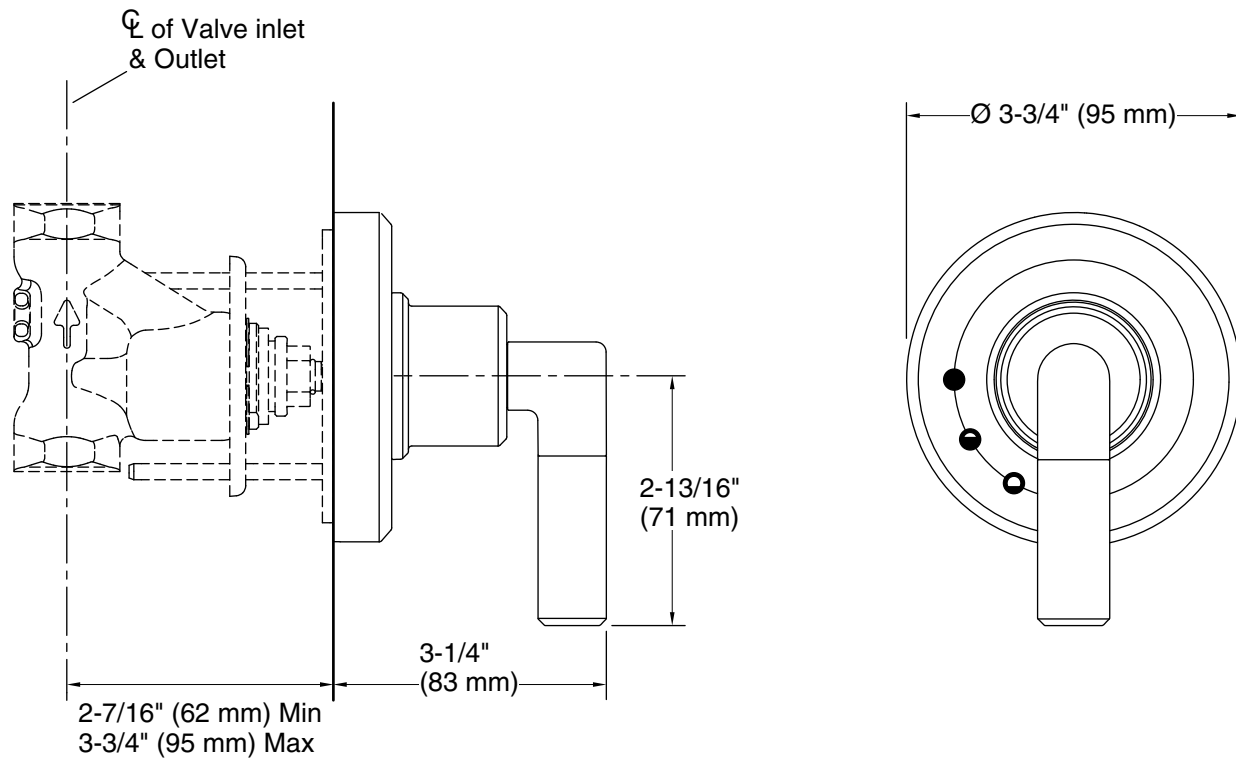
Color	Code	Description
	AD	Nickel Silver
	CP	Polished Chrome
	AG	Brushed Nickel
	BCH	Blush Bronze
	ULB	Unlacquered Brass
	SN	Polished Nickel
	AF	French Gold
	BAF	Brushed French Gold
	BN	Brushed Nickel
	BV	
	2MB	Brushed Moderne Brass

1-888-4-KALLISTA (1-888-452-5547)

Kallista reserves the right to make revisions without notice to product specifications.

For the most current Specification Sheet, go to www.kallista.com.

1-28-2022 04:57 - US/CA/CN/MX/GB



Technical Information

All product dimensions are nominal.

Drain included: No

Notes

ADA, OBC, CSA B651 compliant when installed to the specific requirements of these regulations.