

KALLISTA®

Pure Paletta® by Laura Kirar Thermostatic Trim, Lever Handle P24925-LV

Features

- High-quality solid brass construction for durability and reliability
- Required rough-in sold separately
- Precise temperature setting capability
- Patented K-joint installation ensures consistent trim appearance
- ADA compliant

Required Products/Accessories

P29511-WS

or

P29512-WS

or

P24926-LV Volume Control Trim, Lever Handle

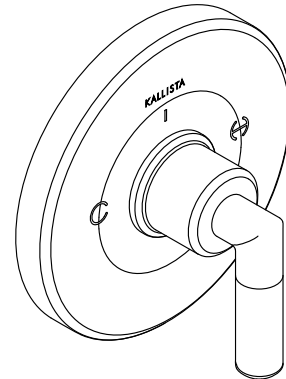
Recommended Products/Accessories

P24918-LV Pressure Balance Trim, Lever Handle

P24927-LV

P24942-00

P24943-00



ADA

CSA B651

OBC

Codes/Standards

ASME A112.18.1/CSA B125.1

ADA

ICC/ANSI A117.1

CSA B651

OBC

KALLISTA® Five-Year Limited Warranty

See website for detailed warranty
information.

Available Colors/Finishes

Color tiles intended for reference only.

Color	Code	Description
	AD	Nickel Silver
	CP	Polished Chrome
	AG	Brushed Nickel
	BCH	Blush Bronze
	BZ	Antique Bronze
	ULB	Unlacquered Brass
	BN	Brushed Nickel
	BV	
	SN	Polished Nickel
	2MB	Brushed Moderne Brass
	AF	French Gold
	BAF	Brushed French Gold

1-888-4-KALLISTA (1-888-452-5547)

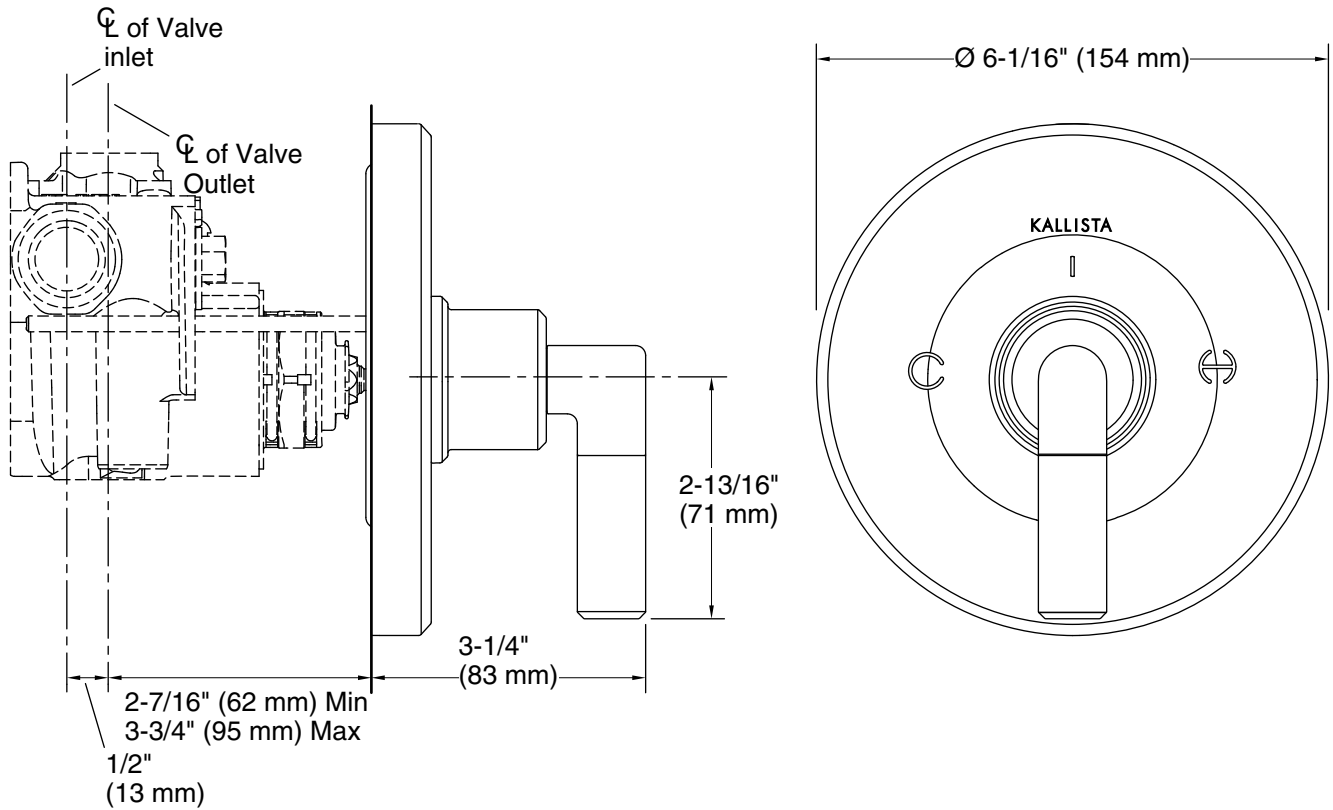
Kallista reserves the right to make revisions without notice to product specifications.

For the most current Specification Sheet, go to www.kallista.com.

1-28-2022 04:56 - US/CA/CN/MX/GB

KALLISTA

Pure Paletta® by Laura Kirar
Thermostatic Trim, Lever Handle
P24925-LV



Technical Information

All product dimensions are nominal.

Drain included: No

Notes

ADA, OBC, CSA B651 compliant when installed to the specific requirements of these regulations.

1-888-4-KALLISTA (1-888-452-5547)

Kallista reserves the right to make revisions without notice to product specifications.

For the most current Specification Sheet, go to www.kallista.com.

1-28-2022 04:56 - US/CA/CN/MX/GB