

# KALLISTA®

## Per Se® by KALLISTA Air-Induction Showerhead with Arm P24712-00

### Features

- Single-function spray
- Easy-to-clean sprayface resists mineral buildup
- 1.75 gpm (6.6 lpm) maximum flow rate
- Wall-mount installation

### Recommended Products/Accessories

- P21652-00 Fixed Wall Bracket with Integrated Supply Elbow
- P21486-00
- P21487-00
- P24761-00 Handshower with Hose
- P24715-LV Pressure Balance Trim, Lever Handle
- P22079-00 Body Spray
- P21515-00 Air-Induction ECO Soft Modern Rain Showerhead



### Codes/Standards


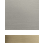



- ASME A112.18.1/CSA B125.1
- DOE - Energy Policy Act 1992
- EPA WaterSense®
- California Energy Commission (CEC)
- IAPMO Certification

### KALLISTA® Five-Year Limited Warranty

See website for detailed warranty information.

### Available Colors/Finishes

*Color tiles intended for reference only.*

| Color   | Code | Description         |
|---|------|---------------------|
|  | CP   | Polished Chrome     |
|  | BN   | Brushed Nickel      |
|  | BAF  | Brushed French Gold |
|  | SN   | Polished Nickel     |
|  | AF   | French Gold         |

1-888-4-KALLISTA (1-888-452-5547)

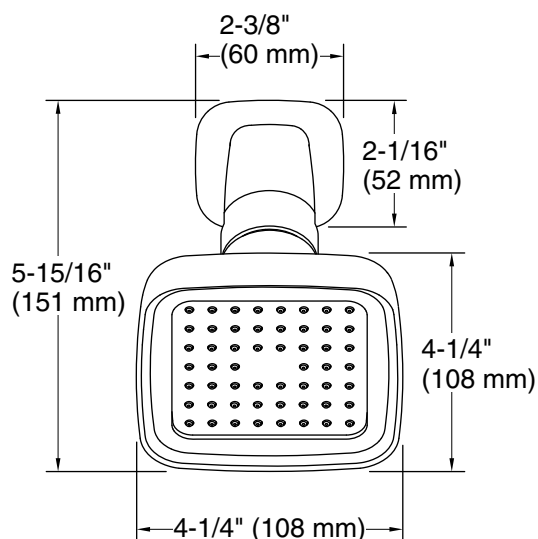
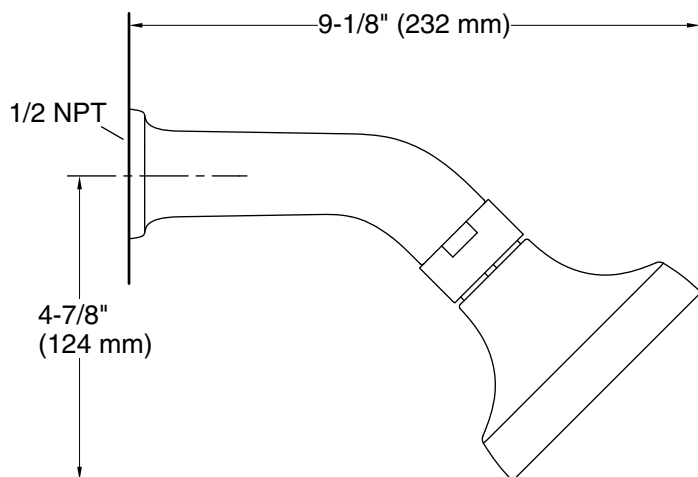
Kallista reserves the right to make revisions without notice to product specifications.

For the most current Specification Sheet, go to [www.kallista.com](http://www.kallista.com).

6-11-2024 19:53 - US

# KALLISTA

Per Se® by KALLISTA  
Air-Induction Showerhead with Arm  
P24712-00



## Technical Information

All product dimensions are nominal.

Drain included: No

## Showerhead/Body Spray:

Rated maximum flow: 1.75 gal/min (6.6 l/min)

Pressure: 80 psi (5.5 bar)

## Notes

Install this product according to the installation instructions.