

# KALLISTA®

## One™ Nazaré® by KALLISTA Wall-Mount Sink Faucet, Lever Handles P23347-LV

### Features

- Product available for Multi-Unit and Hospitality projects only with 5 unit minimum per item per order. Please contact KALLISTA customer service at [projectconcierge@kallista.com](mailto:projectconcierge@kallista.com) or (888-452-5547) for additional information
- High-quality solid-brass construction for durability and reliability
- Spout reach is 7-1/8" (181 mm)
- Laminar flow
- Includes soft-touch drain
- 1.2 gpm (4.5 lpm) maximum flow rate
- Required rough-in sold separately

### Required Products/Accessories

P29304-00 Rough-In

### Adapters, Rough-in and Extension Kits

P29304-00

Range: 2-1/2" (64 mm) -  
3-1/8" (79 mm)

### Recommended Products/Accessories

P74234-WO Under-mount Sink, Soft Rectangle with  
Overflow, Glazed  
P23325-LV  
P34402-00 Towel Bar, 18"  
P34407-00 Disc Hook



ADA

CSA B651

OBC

### Codes/Standards



ASME A112.18.1/CSA B125.1  
NSF/ANSI/CAN 61  
NSF/ANSI/CAN 372  
All applicable US Federal and State  
material regulations  
DOE - Energy Policy Act 1992  
EPA WaterSense®  
California Energy Commission (CEC)  
ADA  
ICC/ANSI A117.1  
CSA B651  
OBC  
IAPMO Certification

### KALLISTA® Five-Year Limited Warranty

See website for detailed warranty  
information.

### Available Colors/Finishes

*Color tiles intended for reference only.*

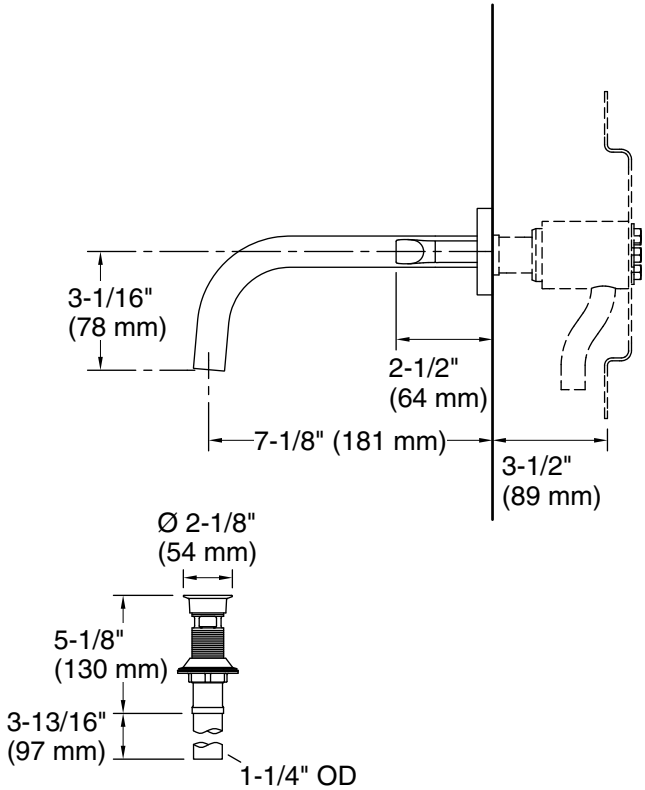
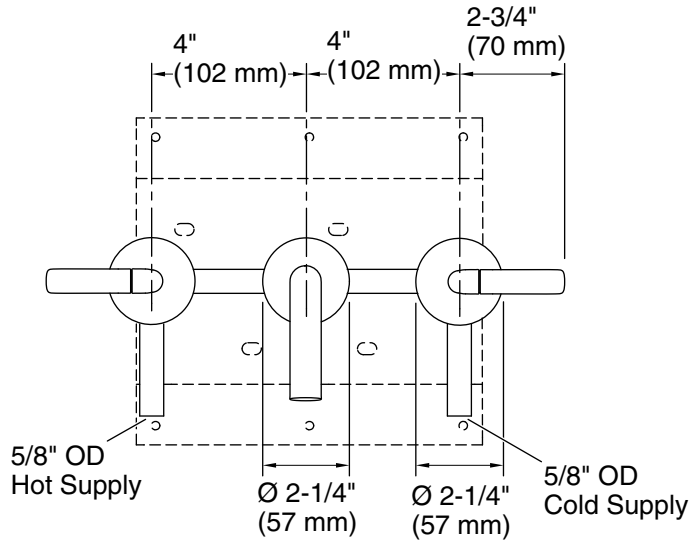
Color	Code	Description
	CP	Polished Chrome
	SN	Polished Nickel

1-888-4-KALLISTA (1-888-452-5547)

Kallista reserves the right to make revisions without notice to product specifications.

For the most current Specification Sheet, go to [www.kallista.com](http://www.kallista.com).

4-24-2024 19:57 - US



## Technical Information

All product dimensions are nominal.

### Faucet:

Flow rate: 1.2 gal/min (4.5 l/min)

Pressure: 60 psi (4.1 bar)

Drain included: Yes

Drain with overflow: Yes

### Spout:

Spout reach: 7-1/8" (180 mm)

## Notes

ADA, OBC, CSA B651 compliant when installed to the specific requirements of these regulations.