

KALLISTA.

Showerhead with Arm
P21501-00

Features

- A selection of products within this collection is in stock and ready to ship. Please visit kallista.com/readytoship for the complete list of Ready-to-Ship products and finishes
- High-quality solid-brass construction for durability and reliability
- Three spray options available with a simple turn (wide coverage spray, rhythmic pulse spray, and soft aerated spray)
- Easy-to-clean sprayface resists mineral buildup
- 1.75 gpm (6.6 lpm) maximum flow rate
- Wall-mount installation

Recommended Products/Accessories

P24843-00 Wand Dual-Function Handshower with Hose
P21664-00 Modern Slidebar
P22078-H Body Spray
P21512-G Air-Induction ECO Small Contemporary Rain Showerhead



Codes/Standards




ASME A112.18.1/CSA B125.1
DOE - Energy Policy Act 1992
EPA WaterSense®
California Energy Commission (CEC)
IAPMO Certification

KALLISTA® Five-Year Limited Warranty

See website for detailed warranty information.

Available Colors/Finishes

Color tiles intended for reference only.

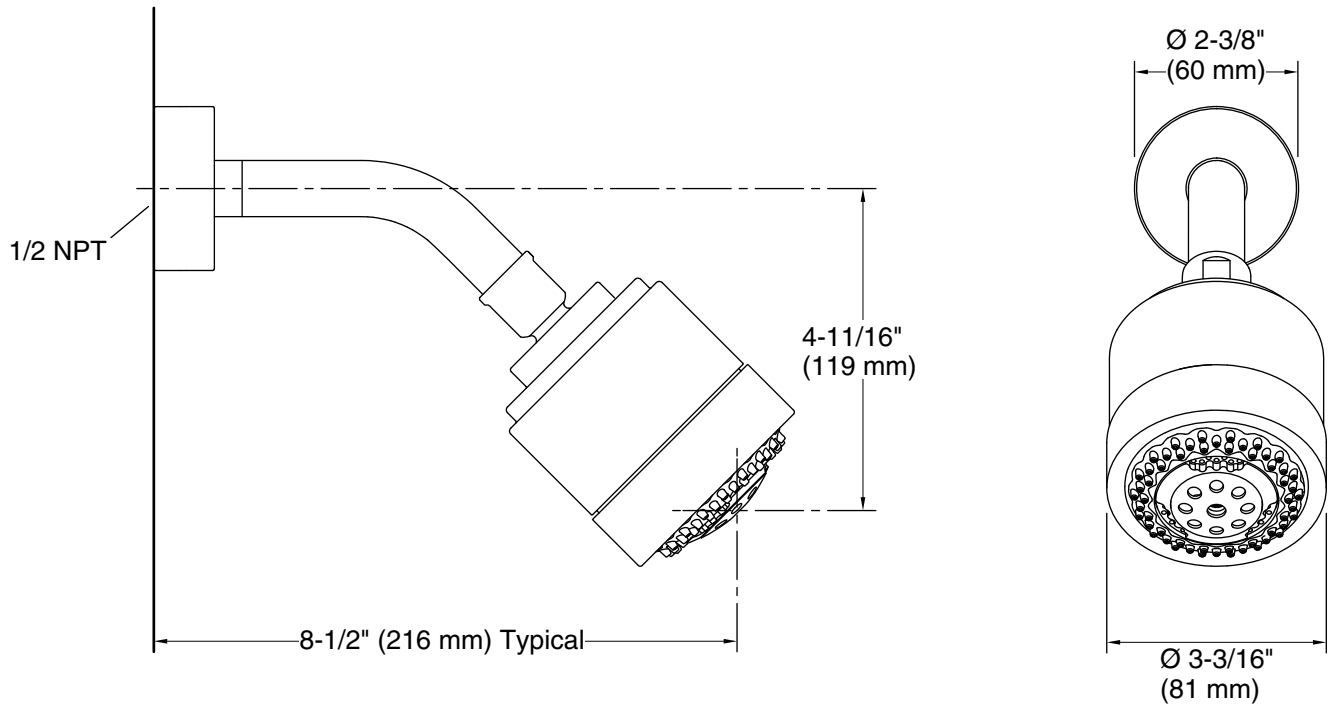
Color	Code	Description
	AD	Nickel Silver
	CP	Polished Chrome
	GN	Gunmetal
	BL	Matte Black
	SN	Polished Nickel
	BN	Brushed Nickel
	BAF	Brushed French Gold

1-888-4-KALLISTA (1-888-452-5547)

Kallista reserves the right to make revisions without notice to product specifications.

For the most current Specification Sheet, go to www.kallista.com.

6-11-2024 20:25 - US



Technical Information

All product dimensions are nominal.

Drain included: No

Drain with overflow: No

Showerhead/Body Spray:

Rated maximum flow: 1.75 gal/min (6.6 l/min)

Pressure: 80 psi (5.5 bar)

Notes

For use with automatic compensating valves rated at 1.75 gal/min (6.6 l/min) or less.