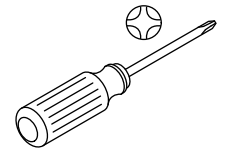


KALLISTA

Installation Guide

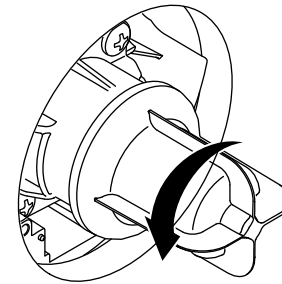


Record your model number.

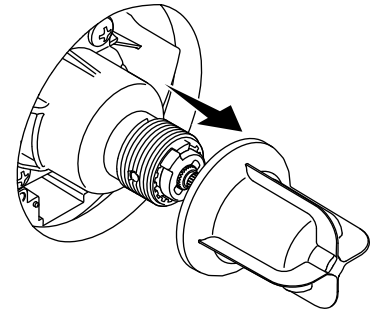
⚠ WARNING: Risk of scalding.
High water temperature can cause severe burns. Set the water temperature at or below 120°F (49°C) following the adjustment procedure in the valve Installation and Care Guide.

Important Information
Follow all local plumbing and building codes.

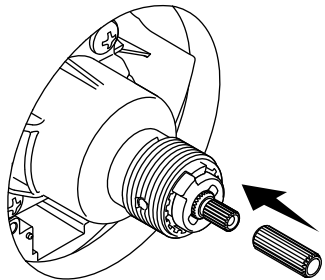
1 Using the plaster guard as a handle, turn the water off.



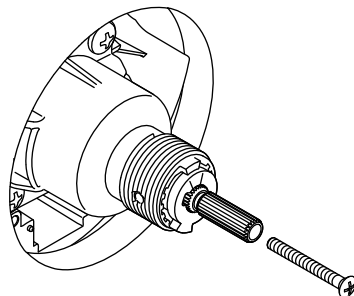
2 Remove the plaster guard.



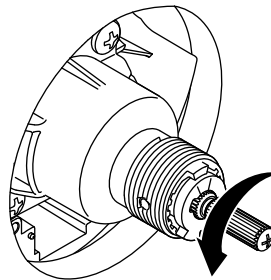
3 Slide the extension and handle onto the stem. Check for proper handle fit. If needed, cut the longer extension for proper fit.



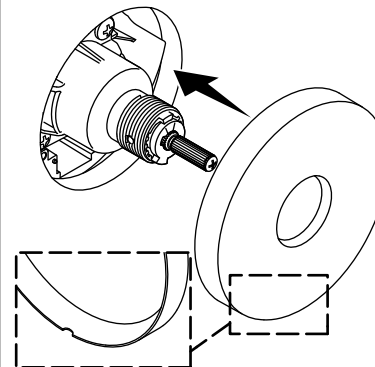
4 Remove the handle and secure the extension with the screw.



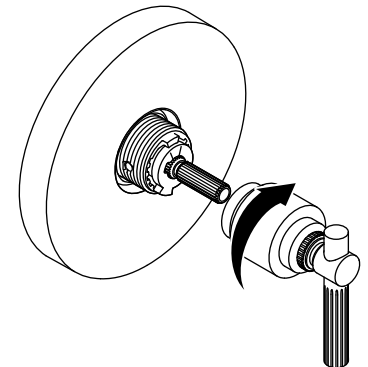
5 Make sure the valve is closed.



6 Position the faceplate with the notch at the bottom.



7 Point the handle down. Thread the bonnet onto the valve.



Questions? Problems? For additional assistance, please contact
KALLISTA's Customer Service Department at 1-888-4-KALLISTA
(1-888-452-5547) or kallista.com.